

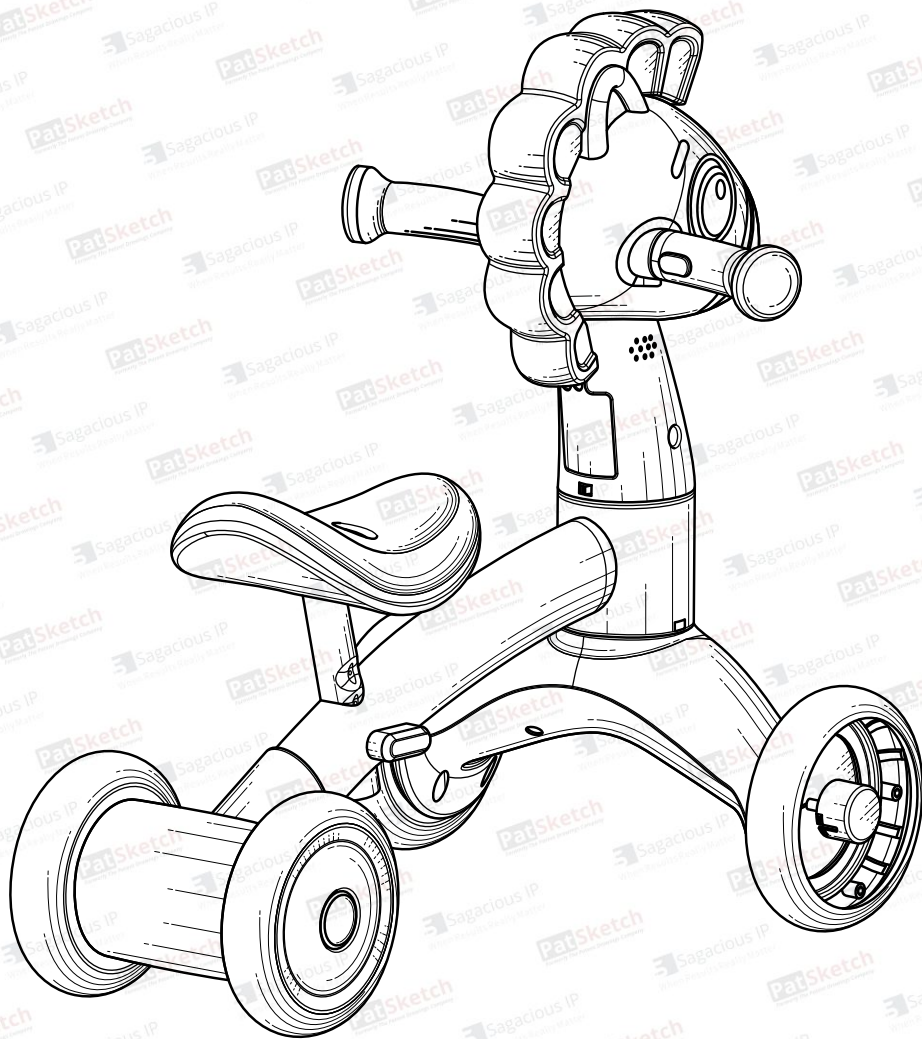
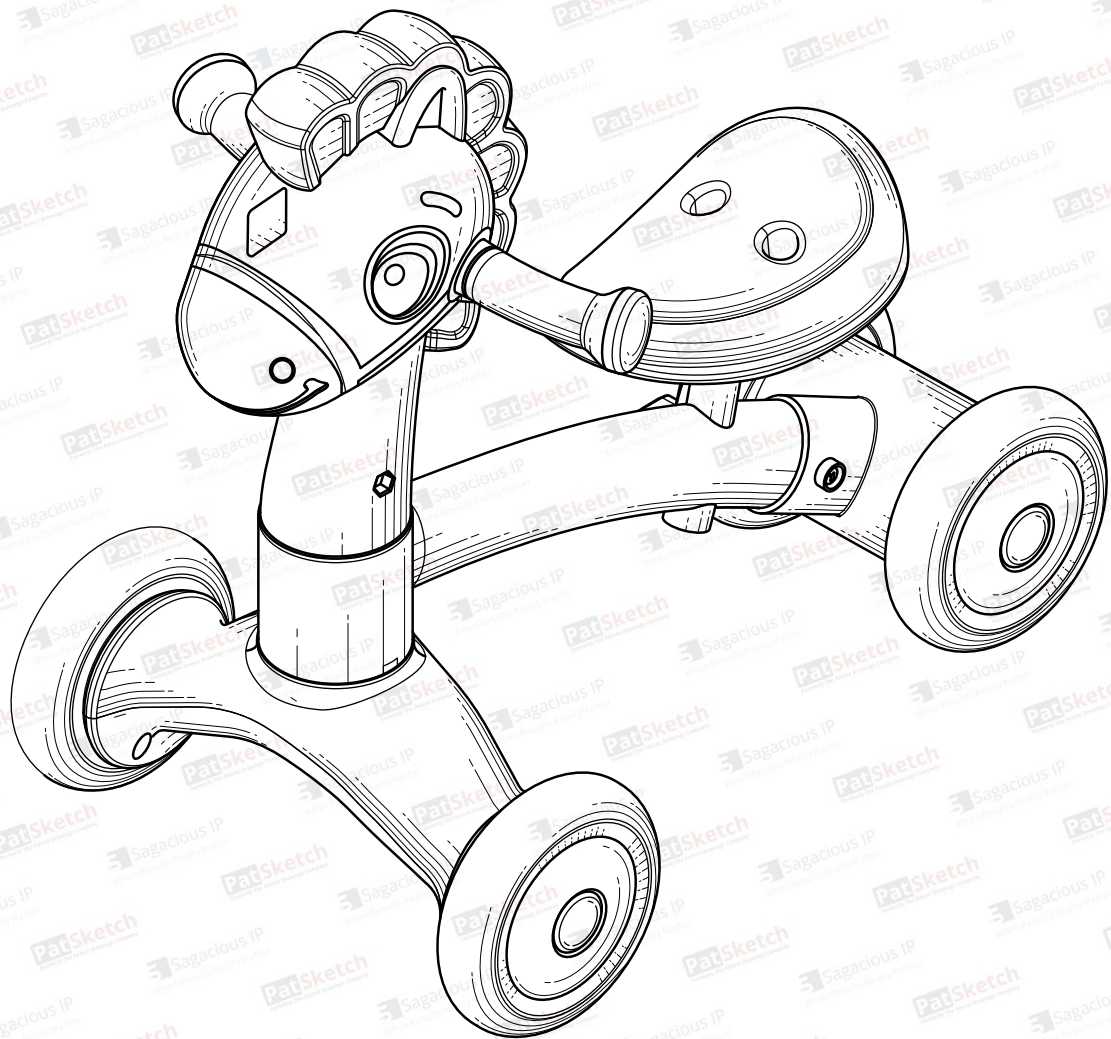
Design Patent & Trademark drawing services



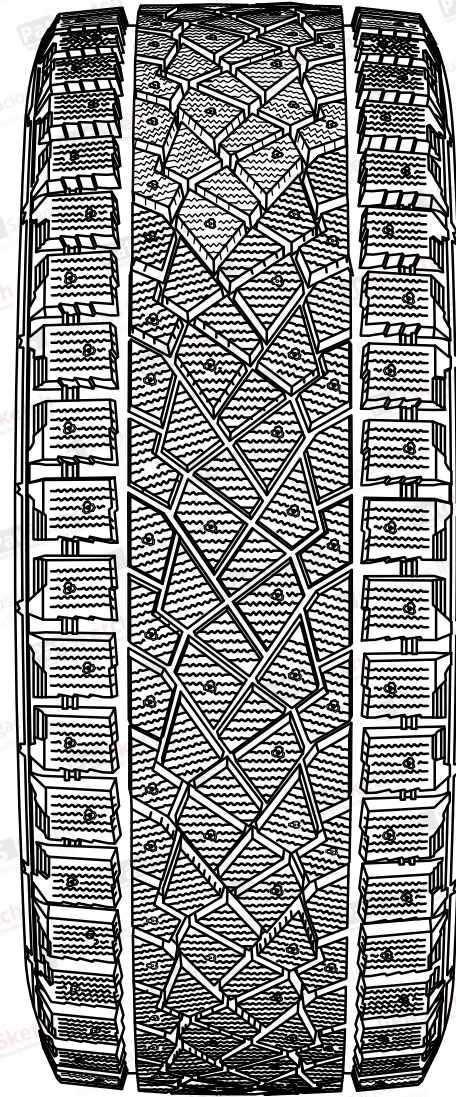
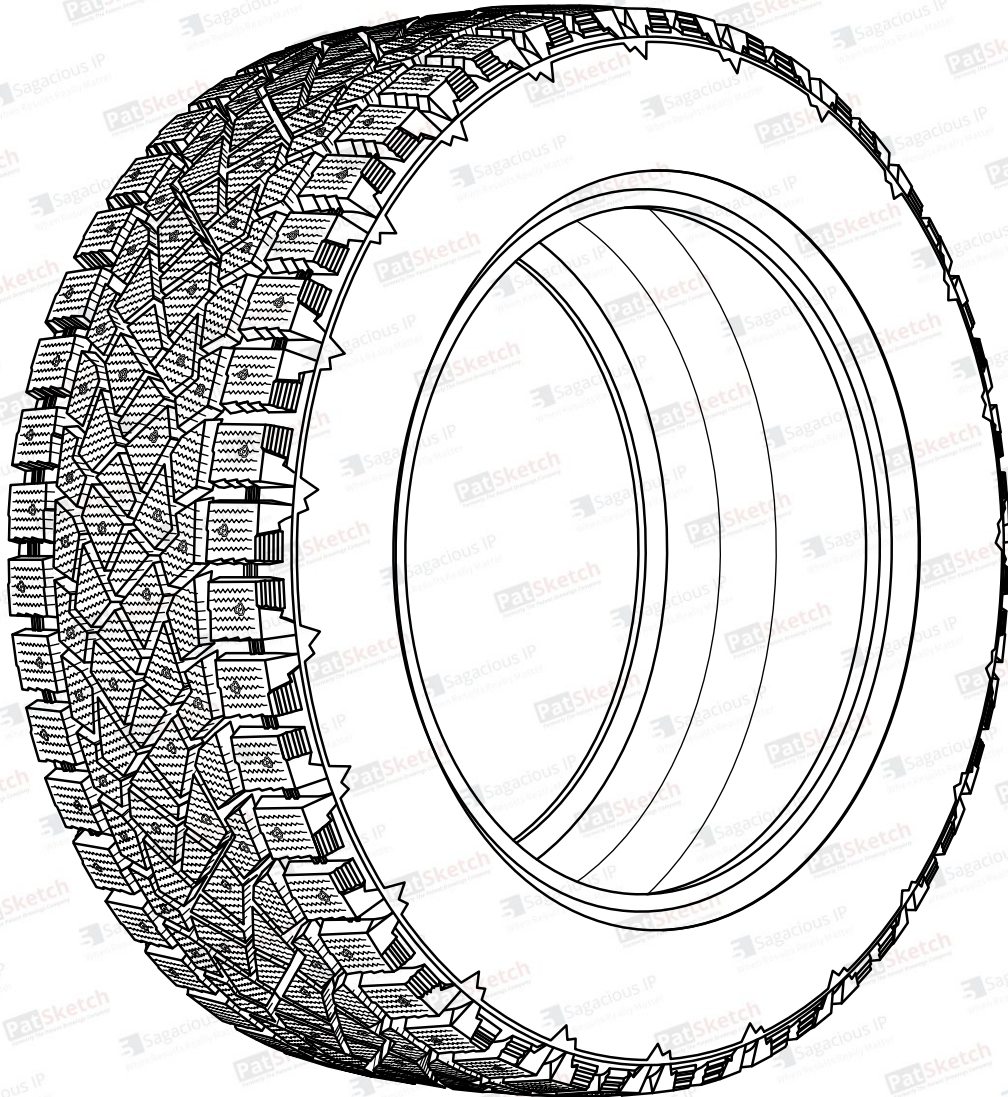
11 Offices | 8 Countries

Seattle, USA | Chicago, USA | Toronto, Canada | Tokyo, Japan | London, UK | Tel Aviv, Israel | Taipei, Taiwan | Shanghai, China |
New Delhi, India | Bangalore, India | Nagpur, India

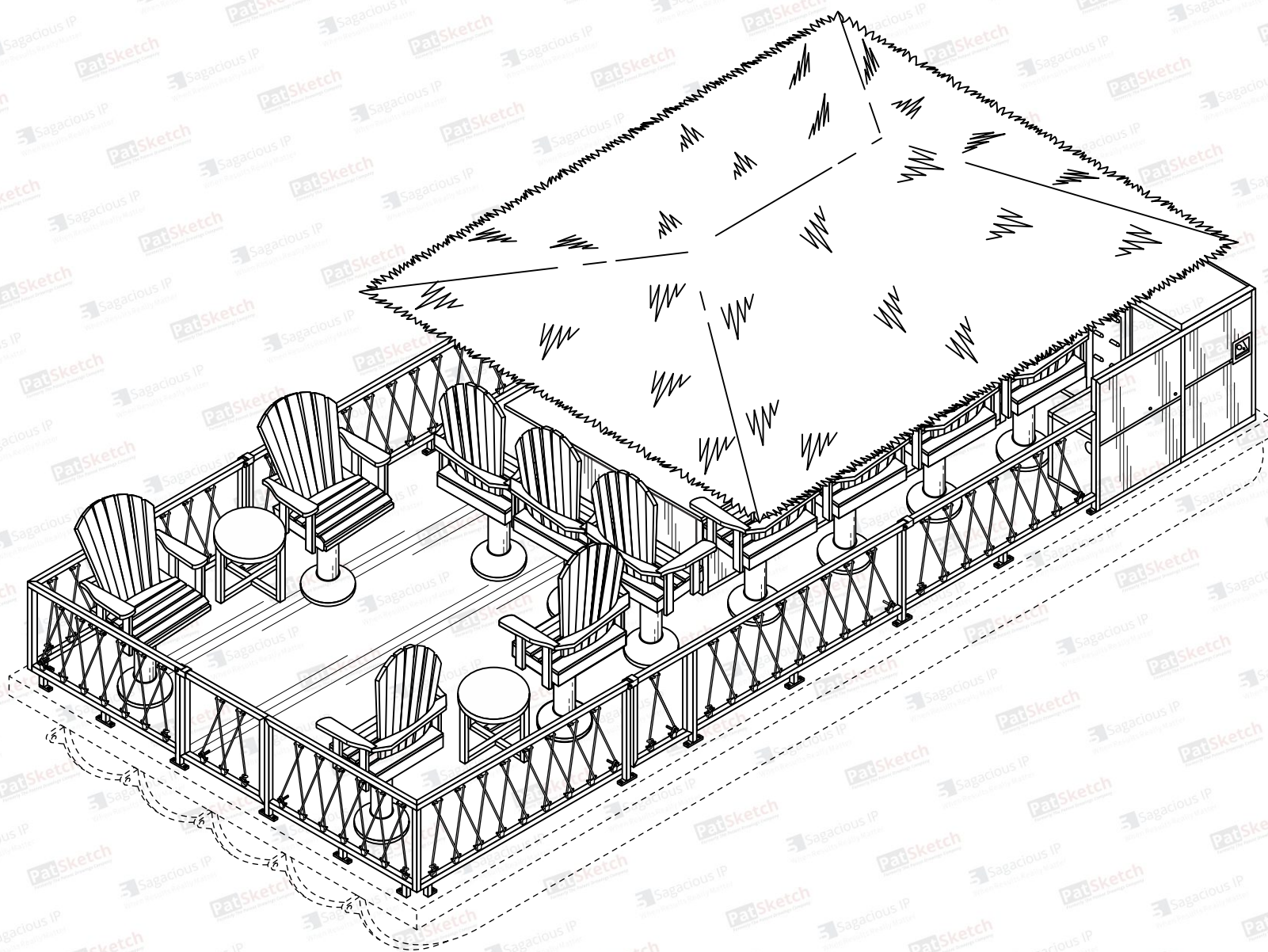
Design



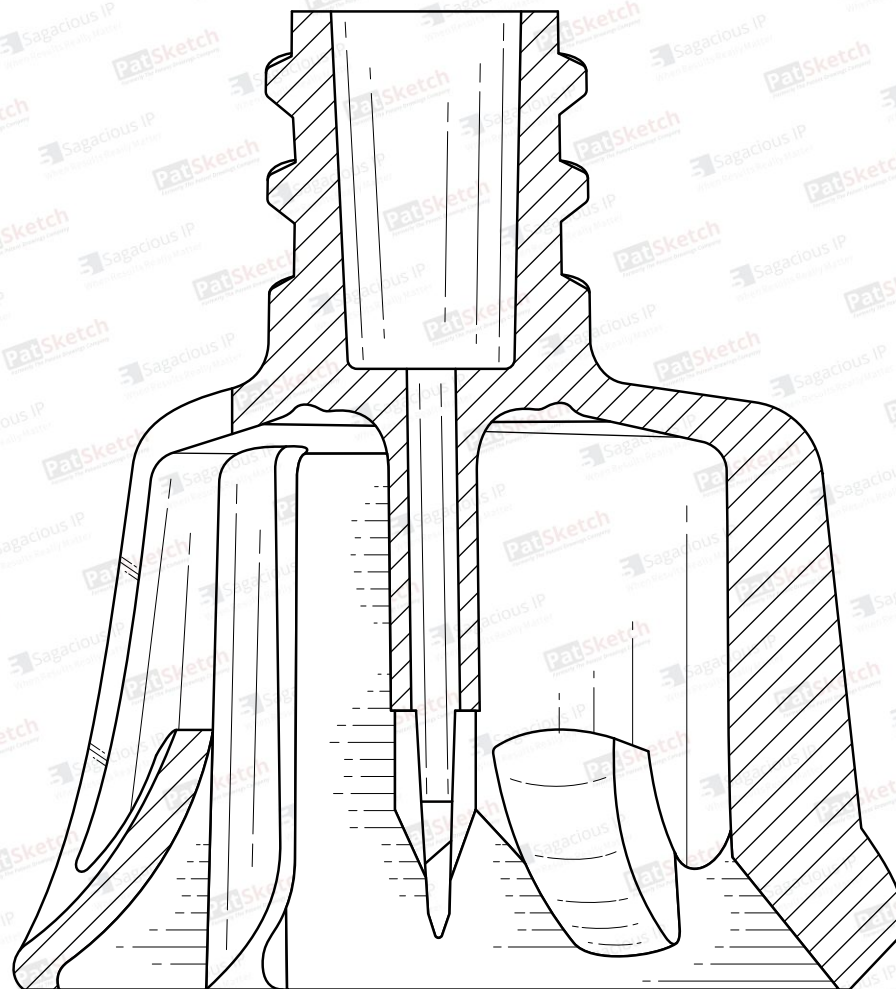
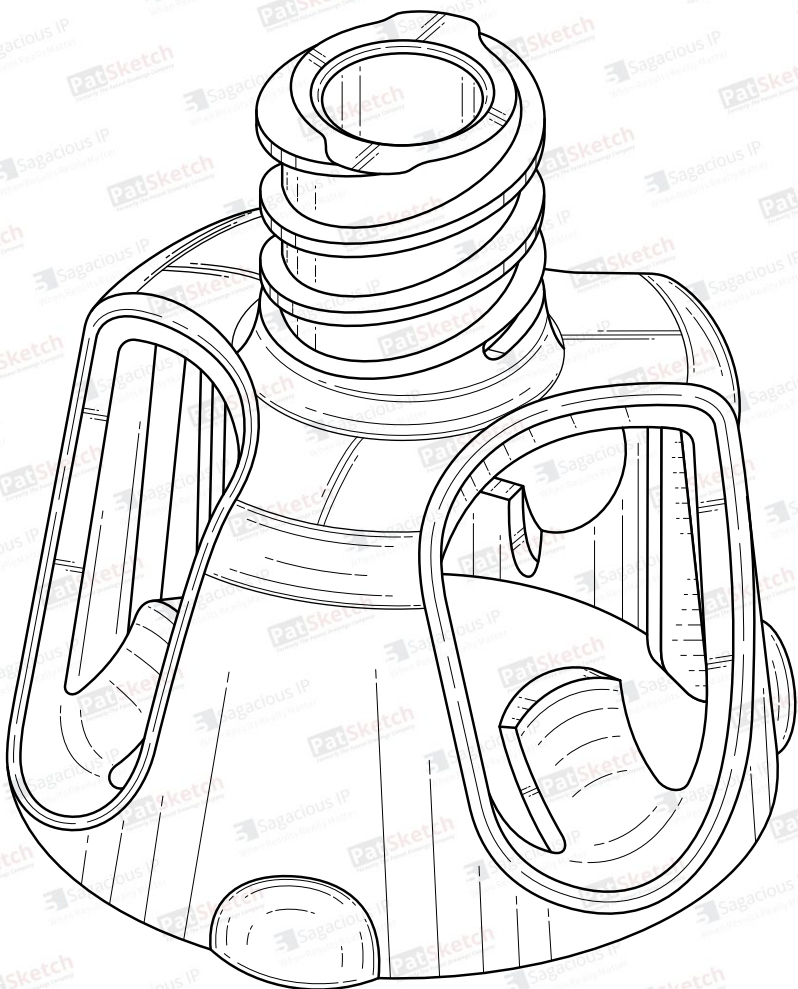
Design



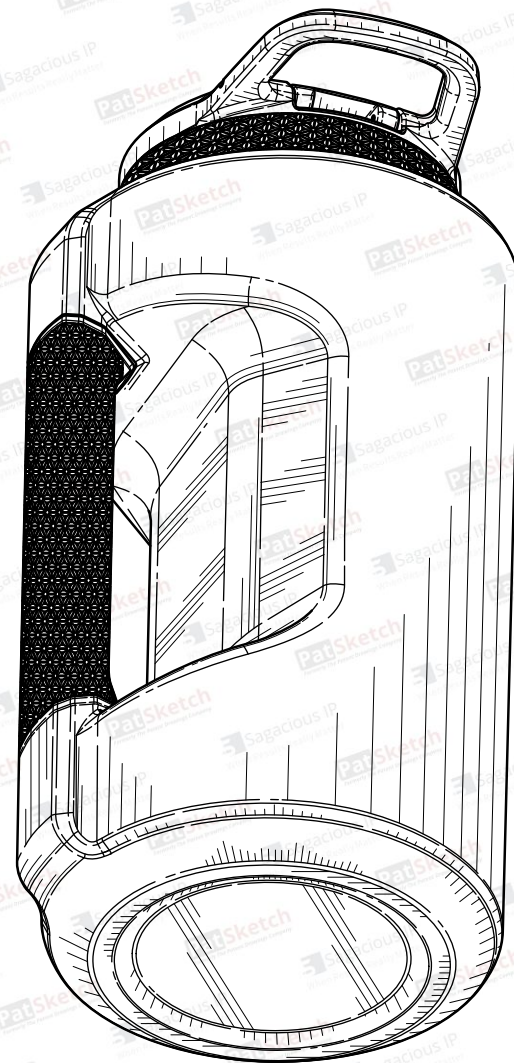
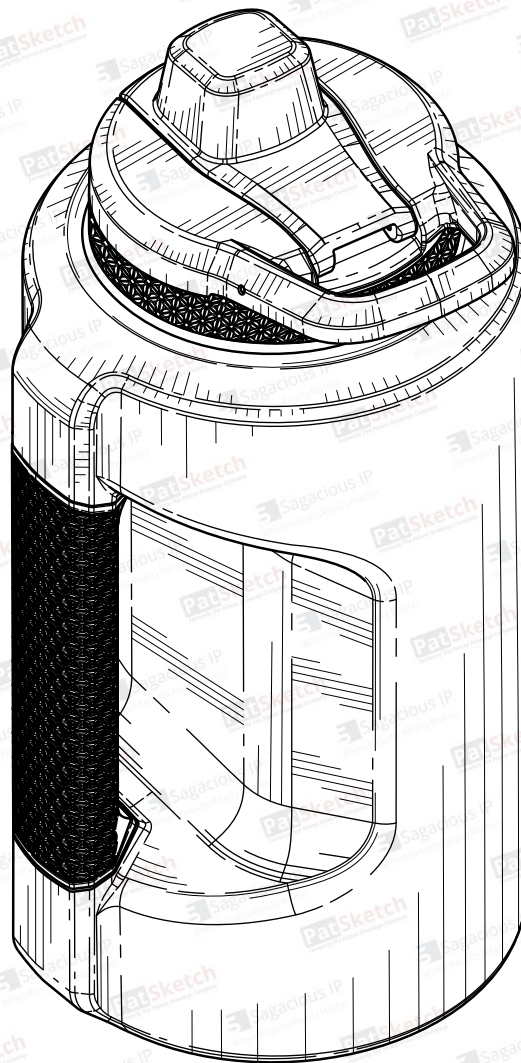
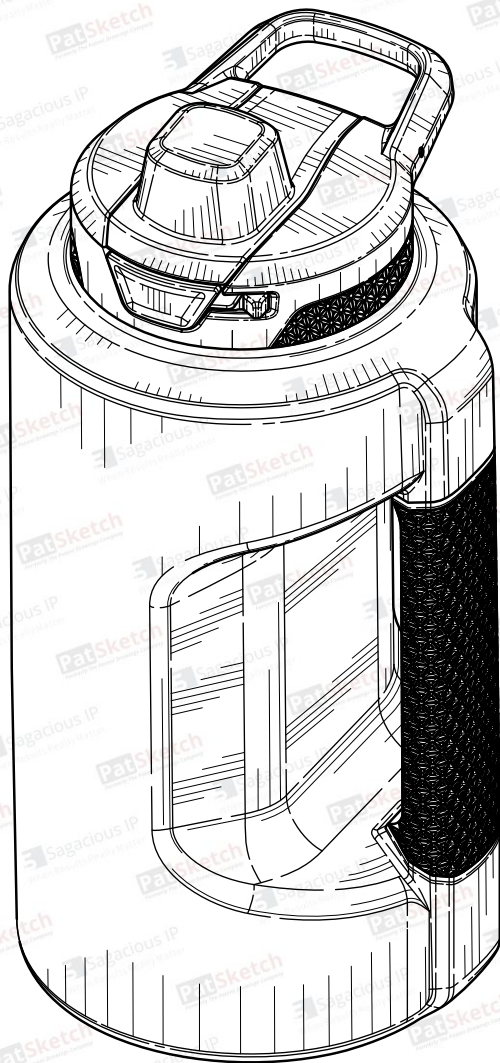
Design



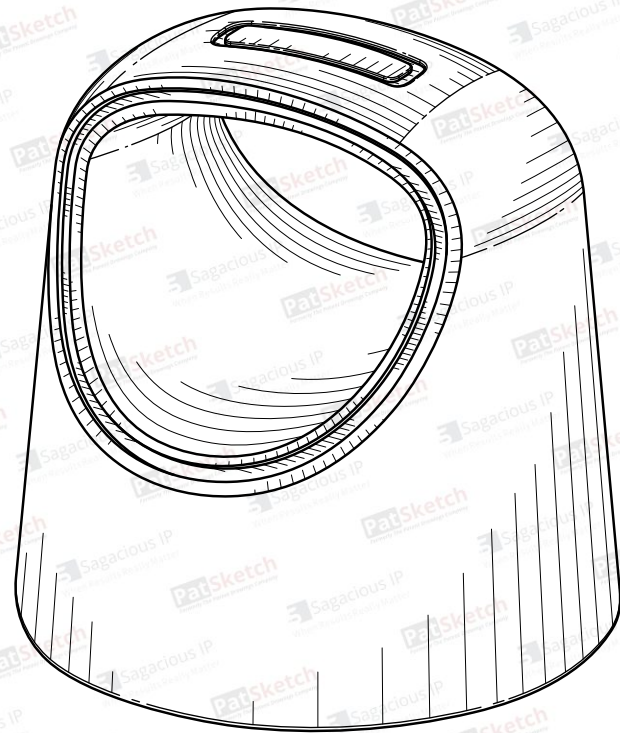
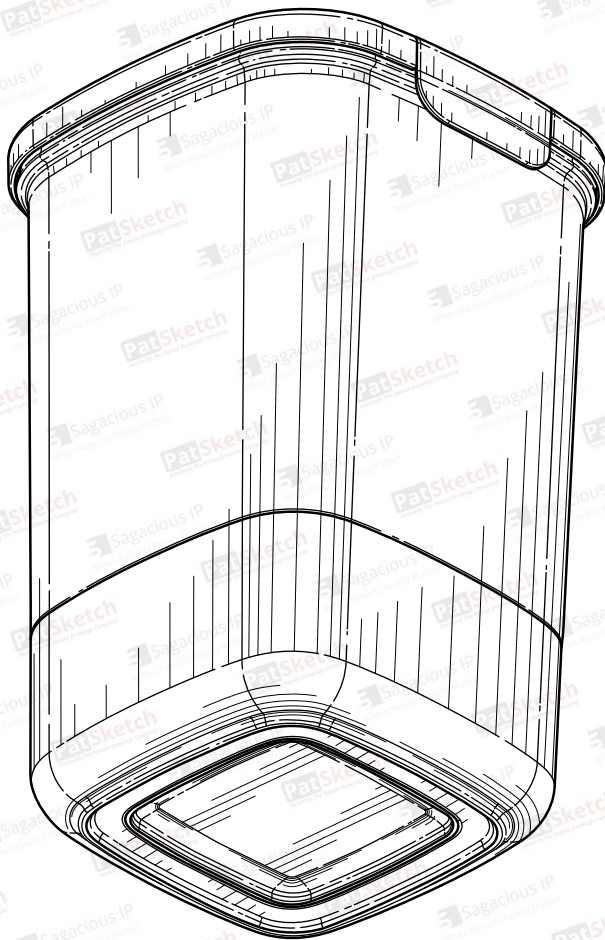
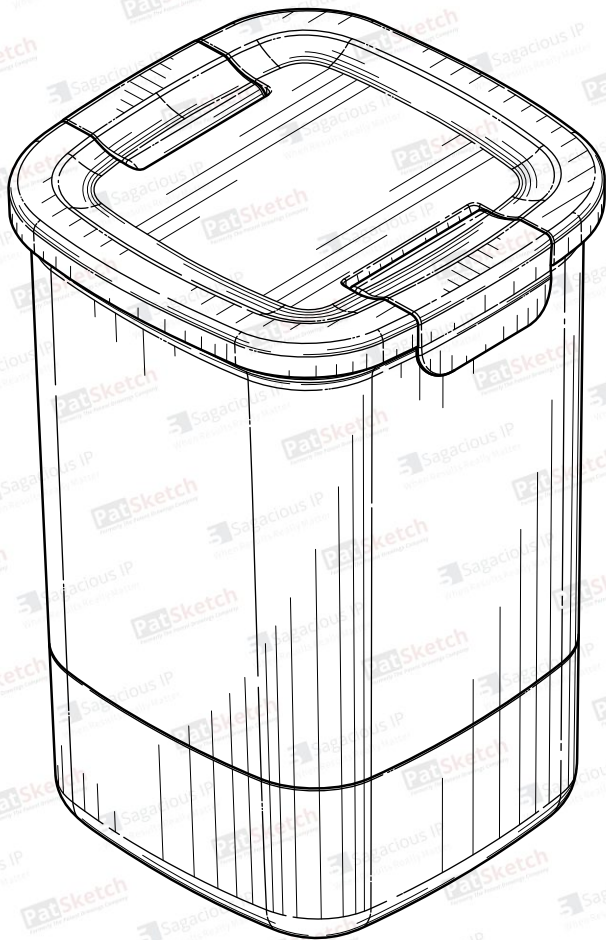
Design



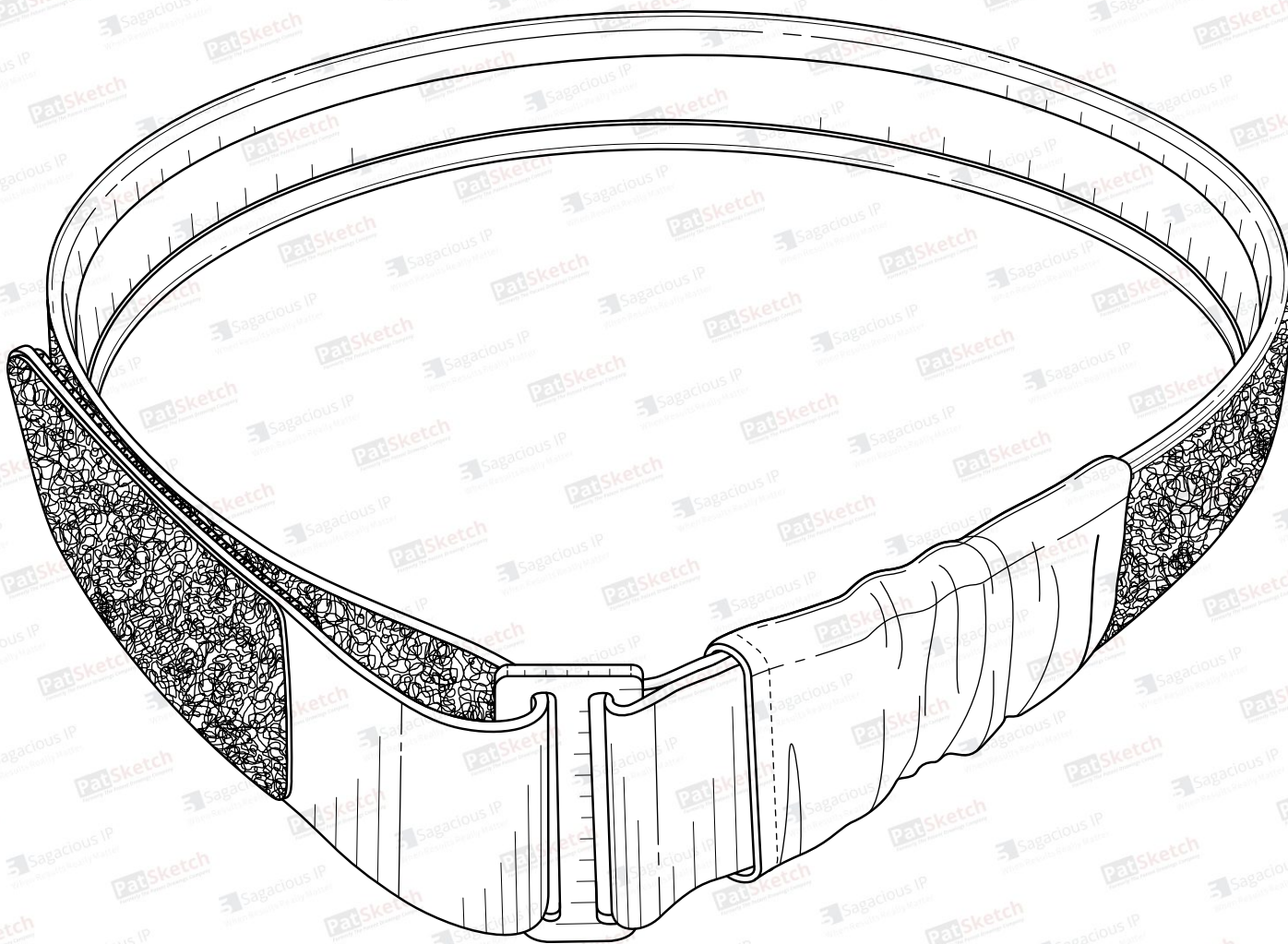
Design



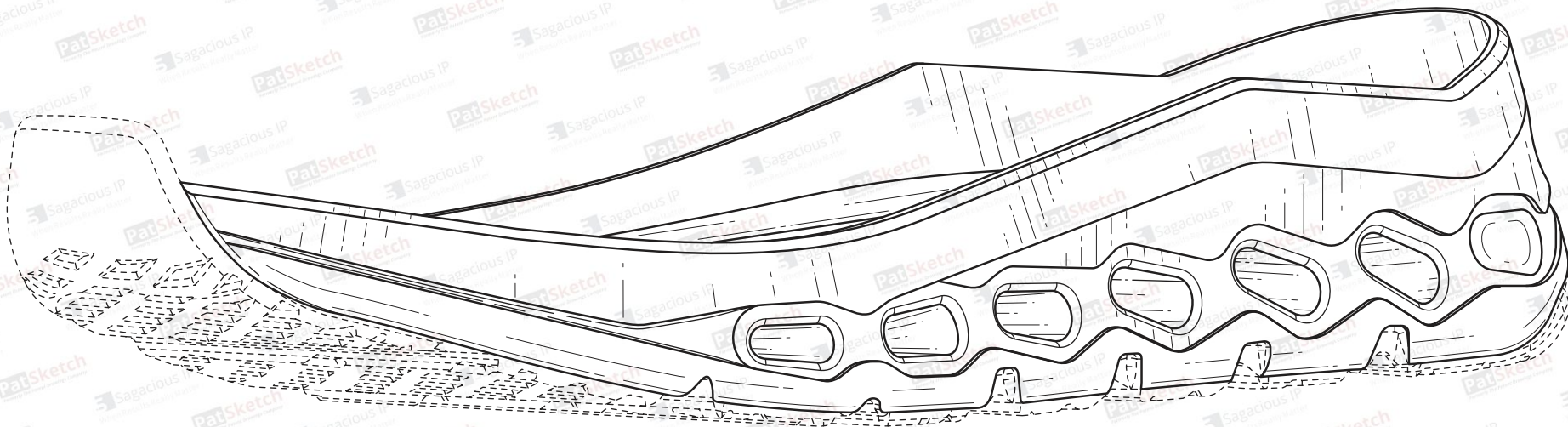
Design



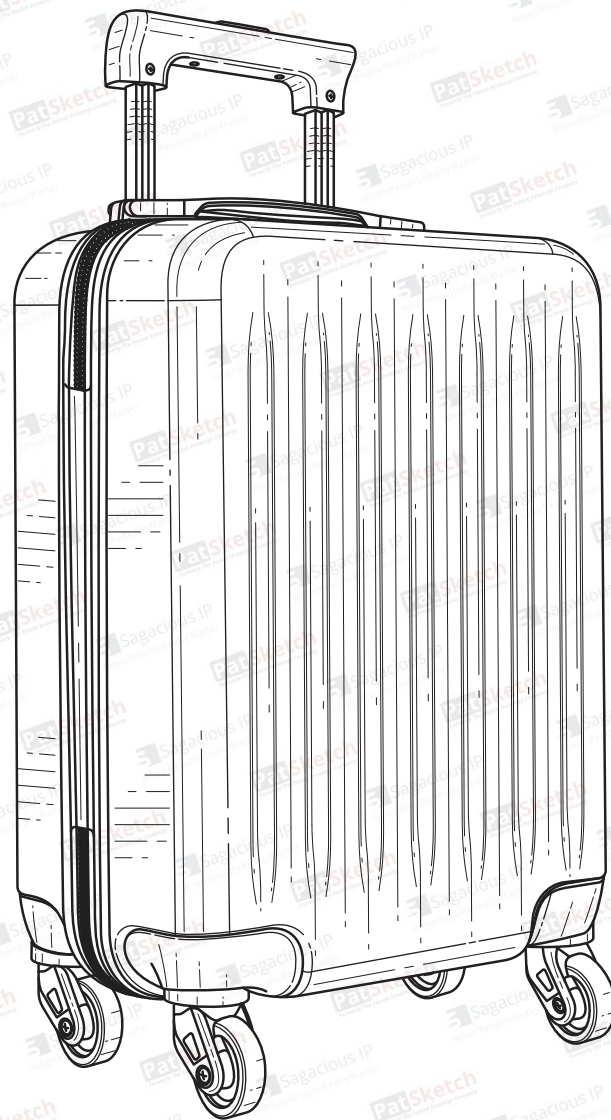
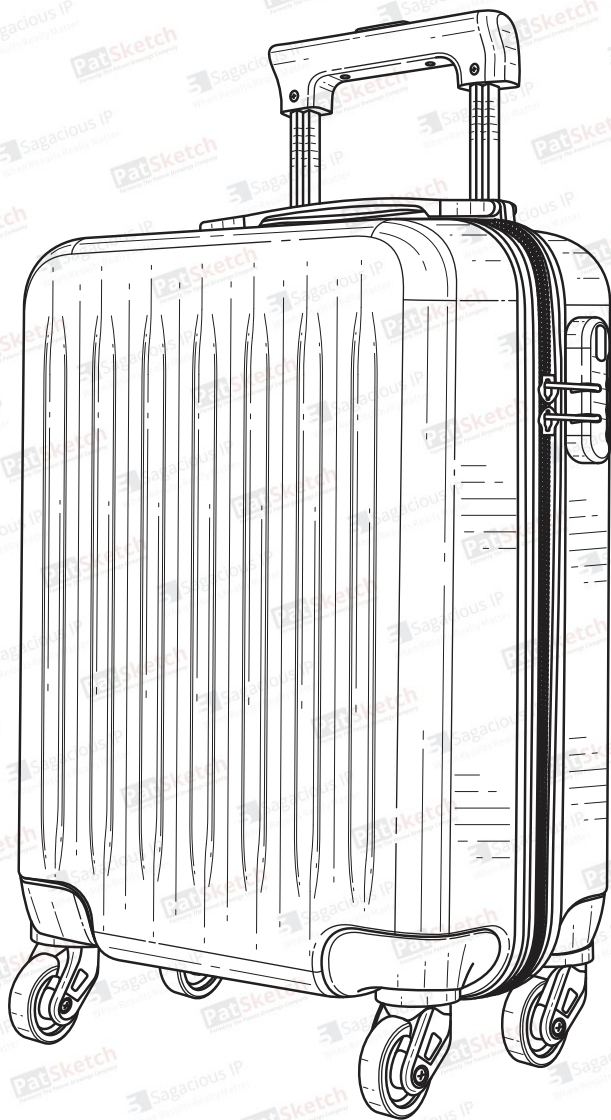
Design



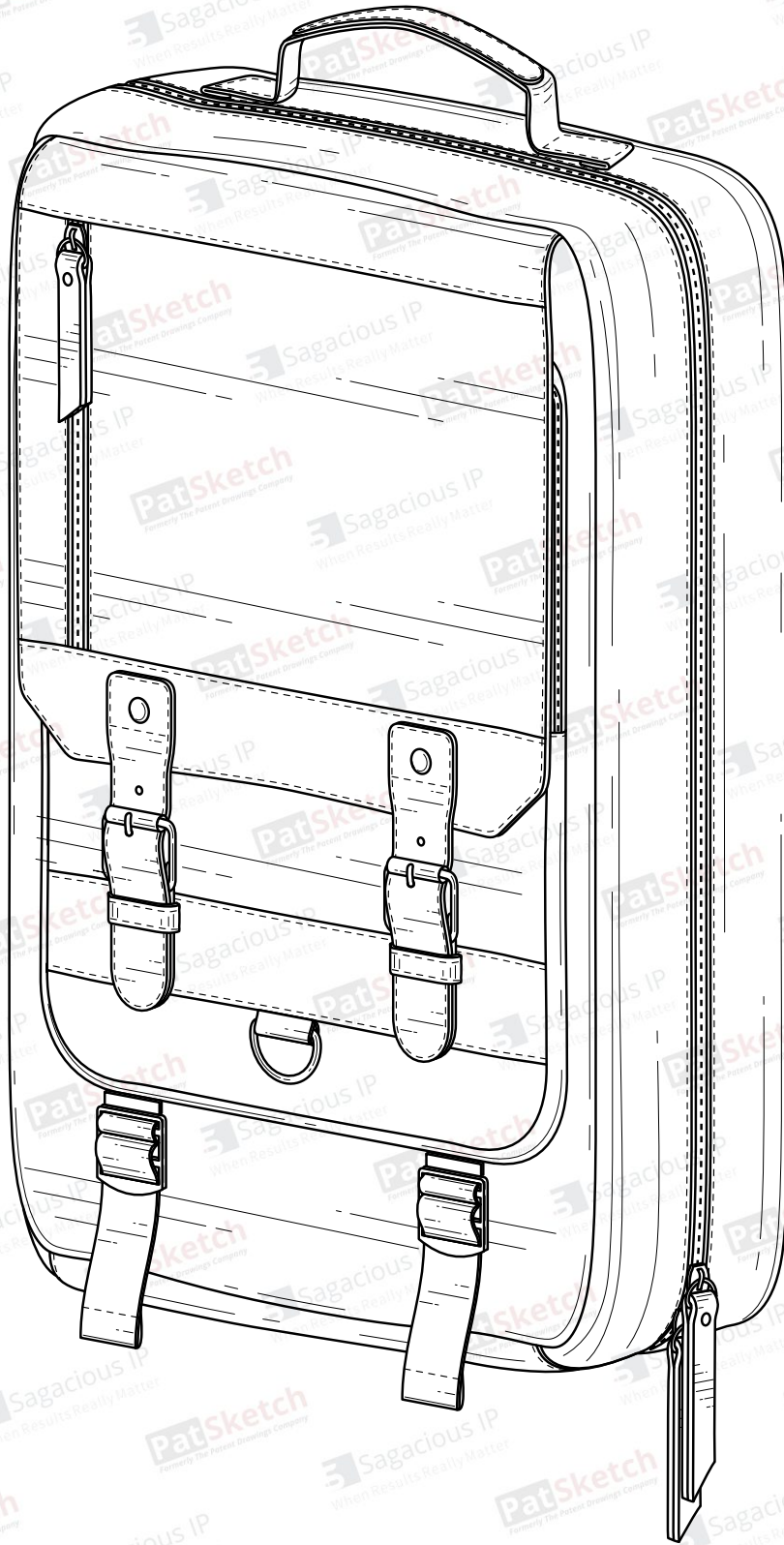
Design



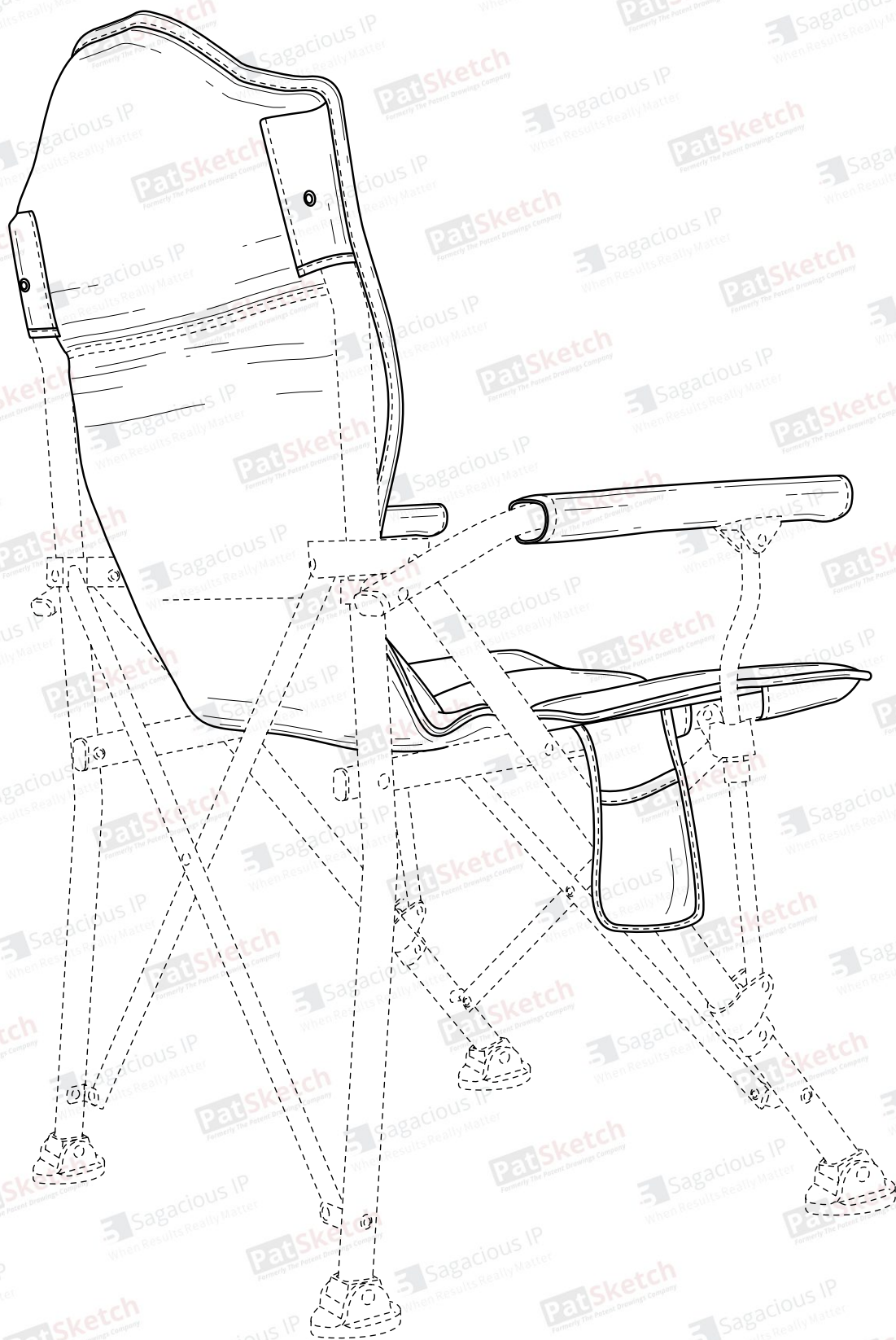
Design

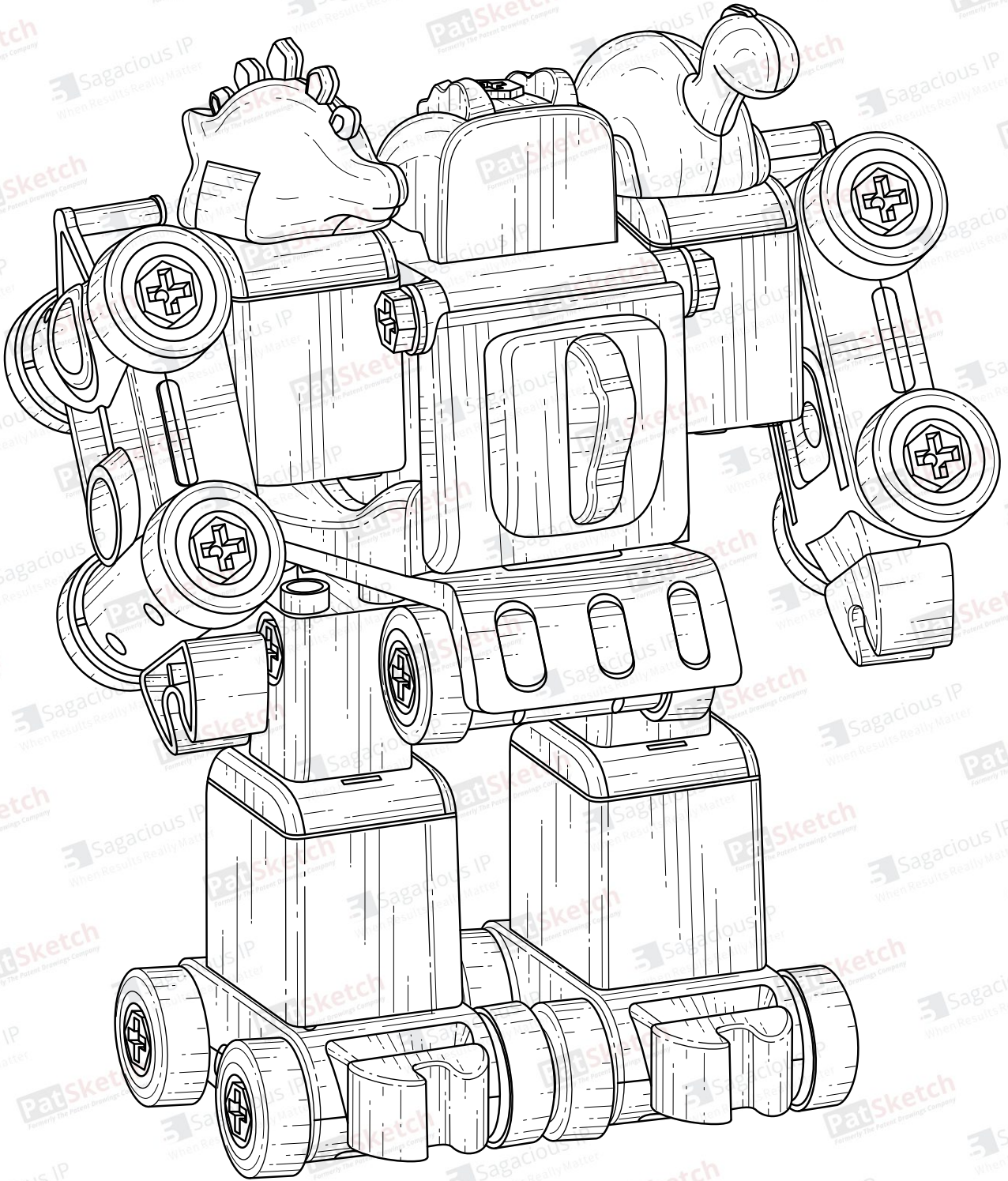


Design

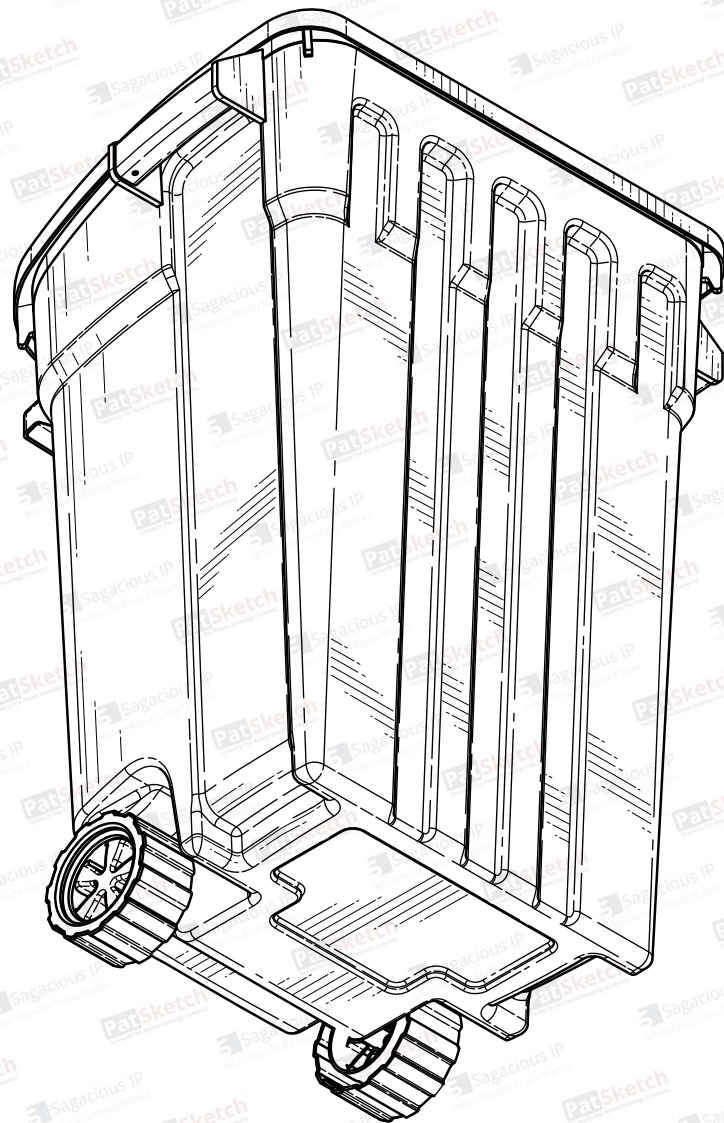
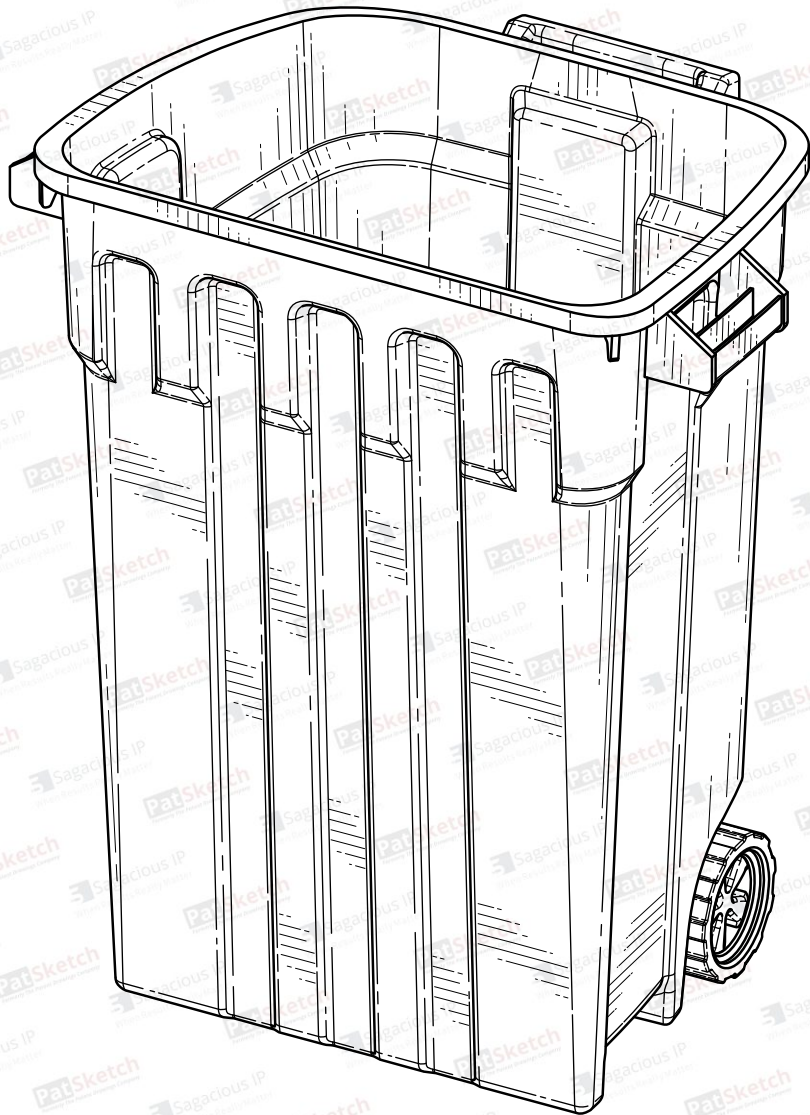


Design

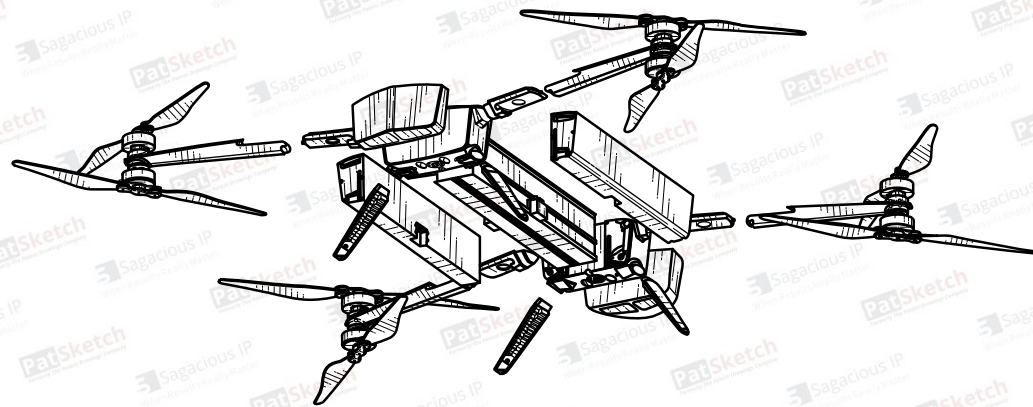
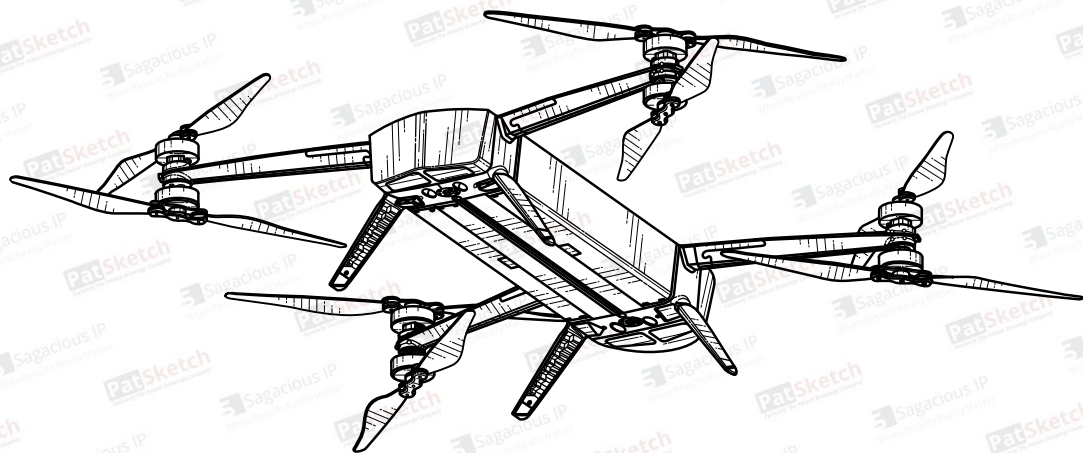
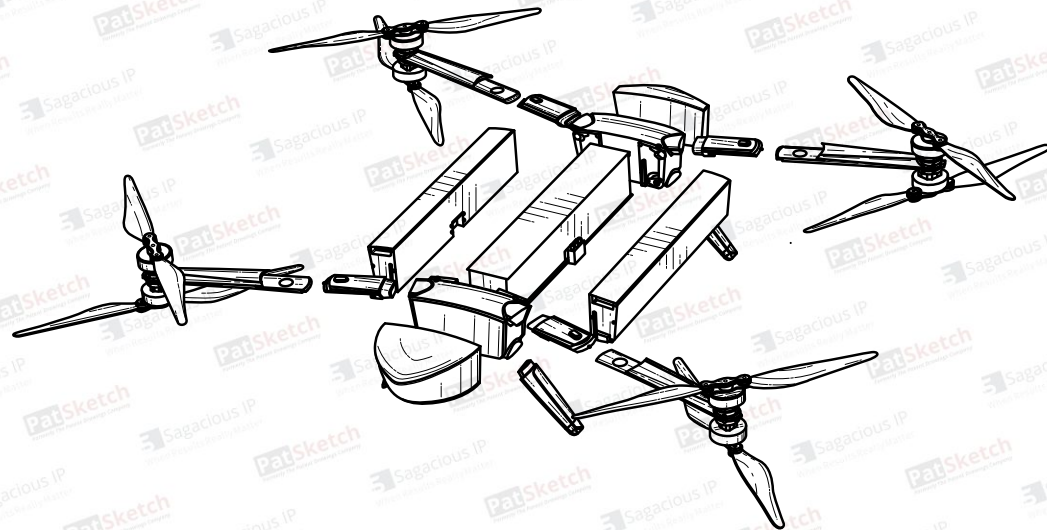
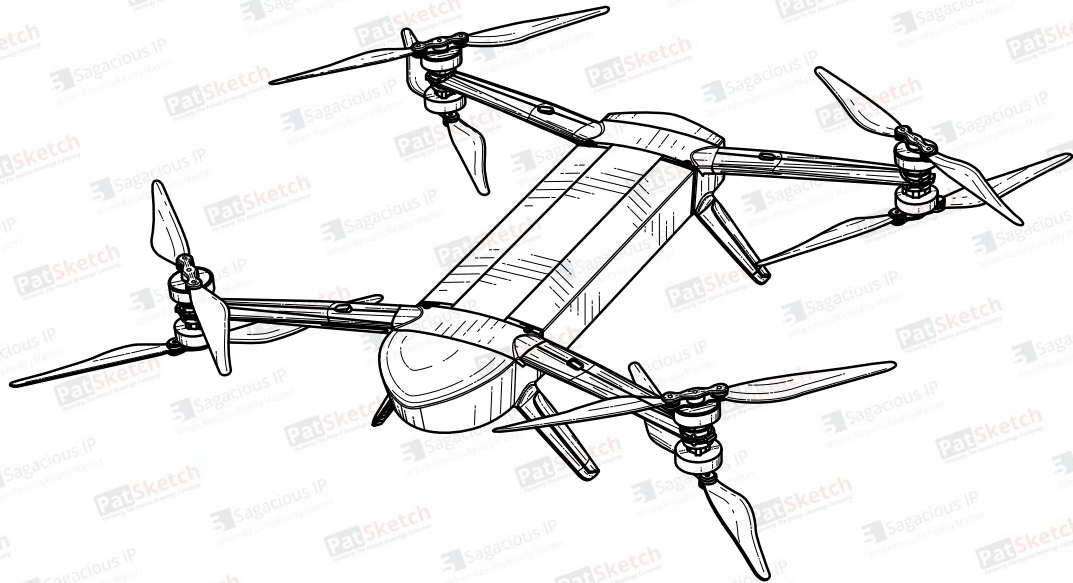




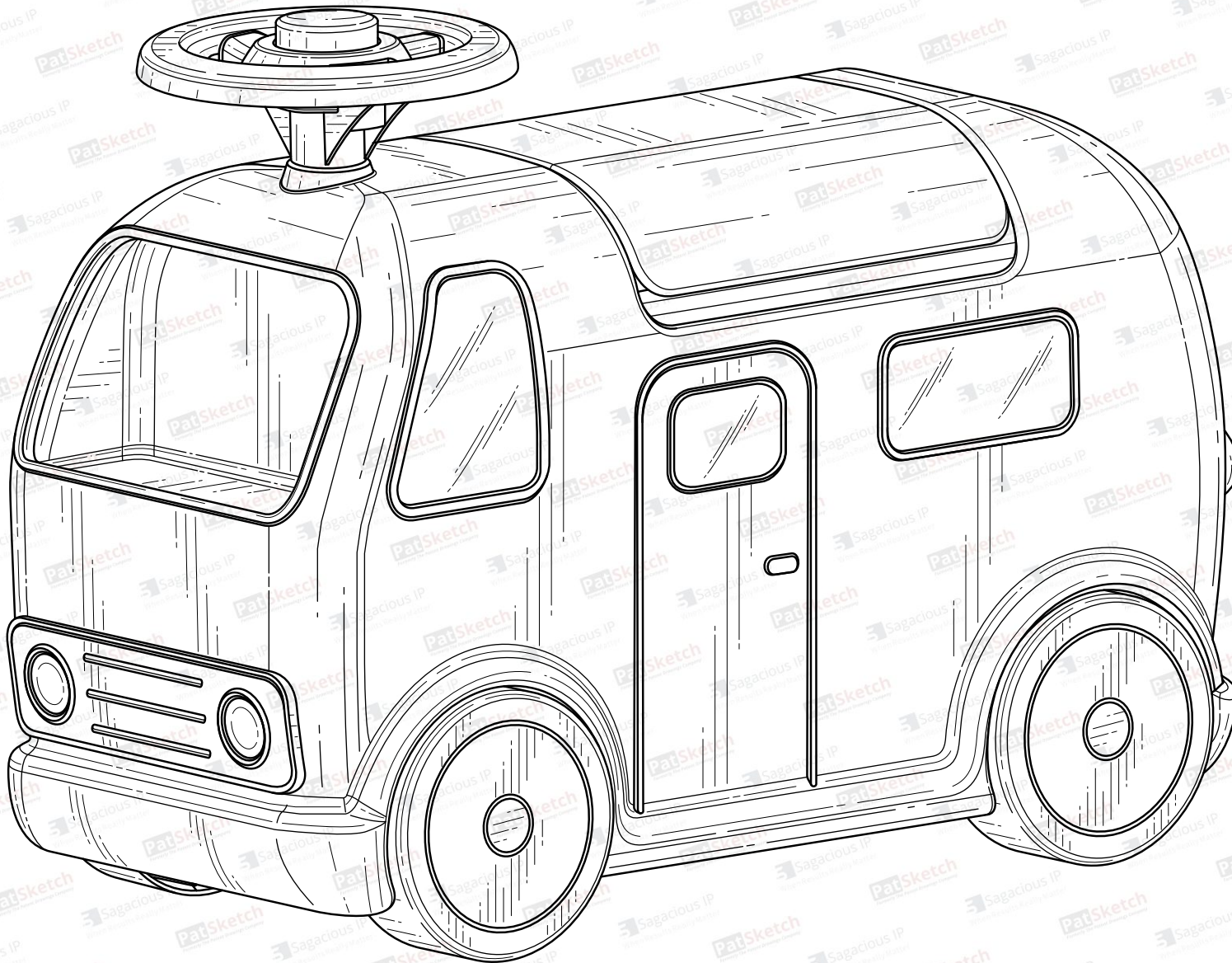
REPLACEMENTSHEET



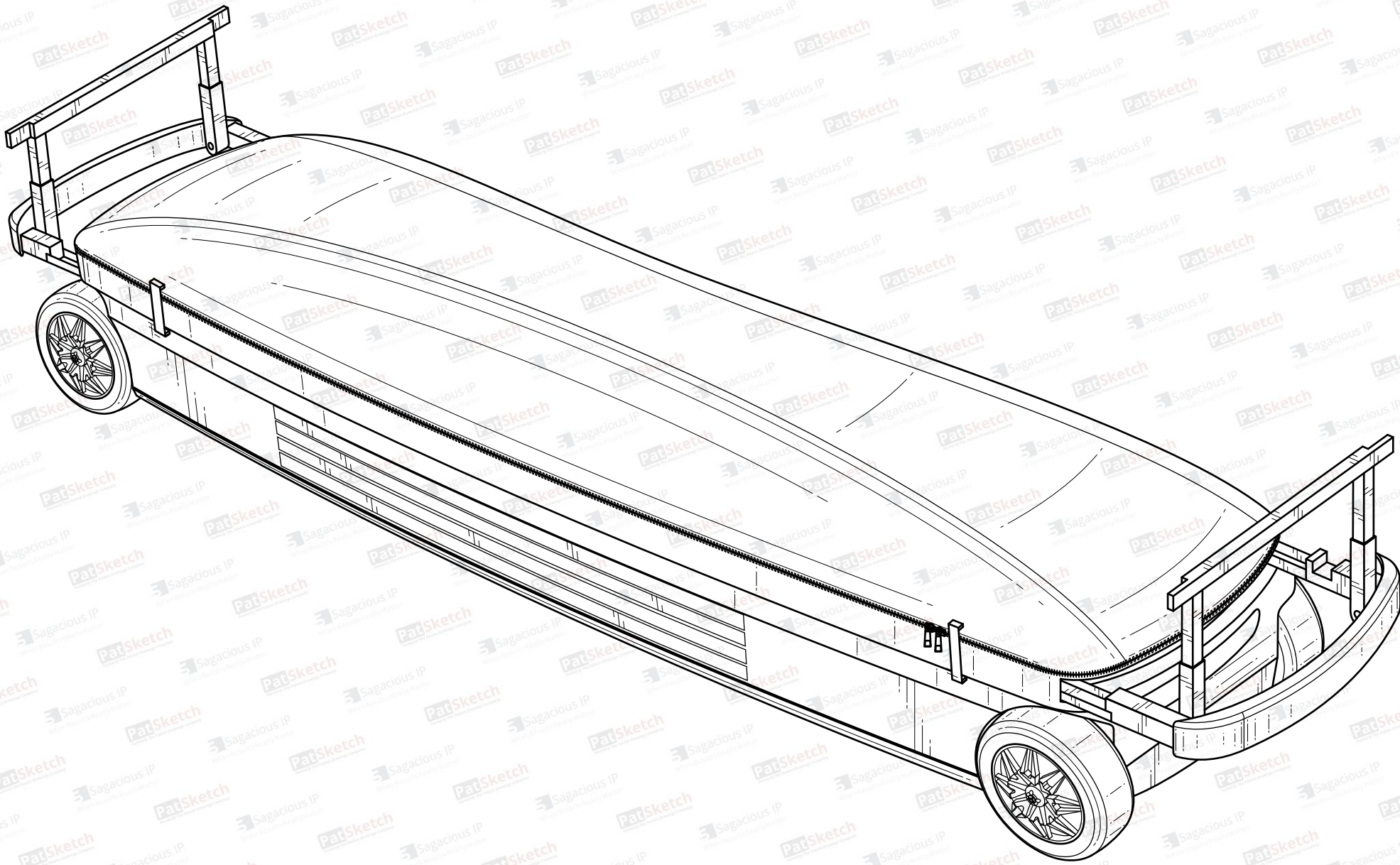
Design



Design



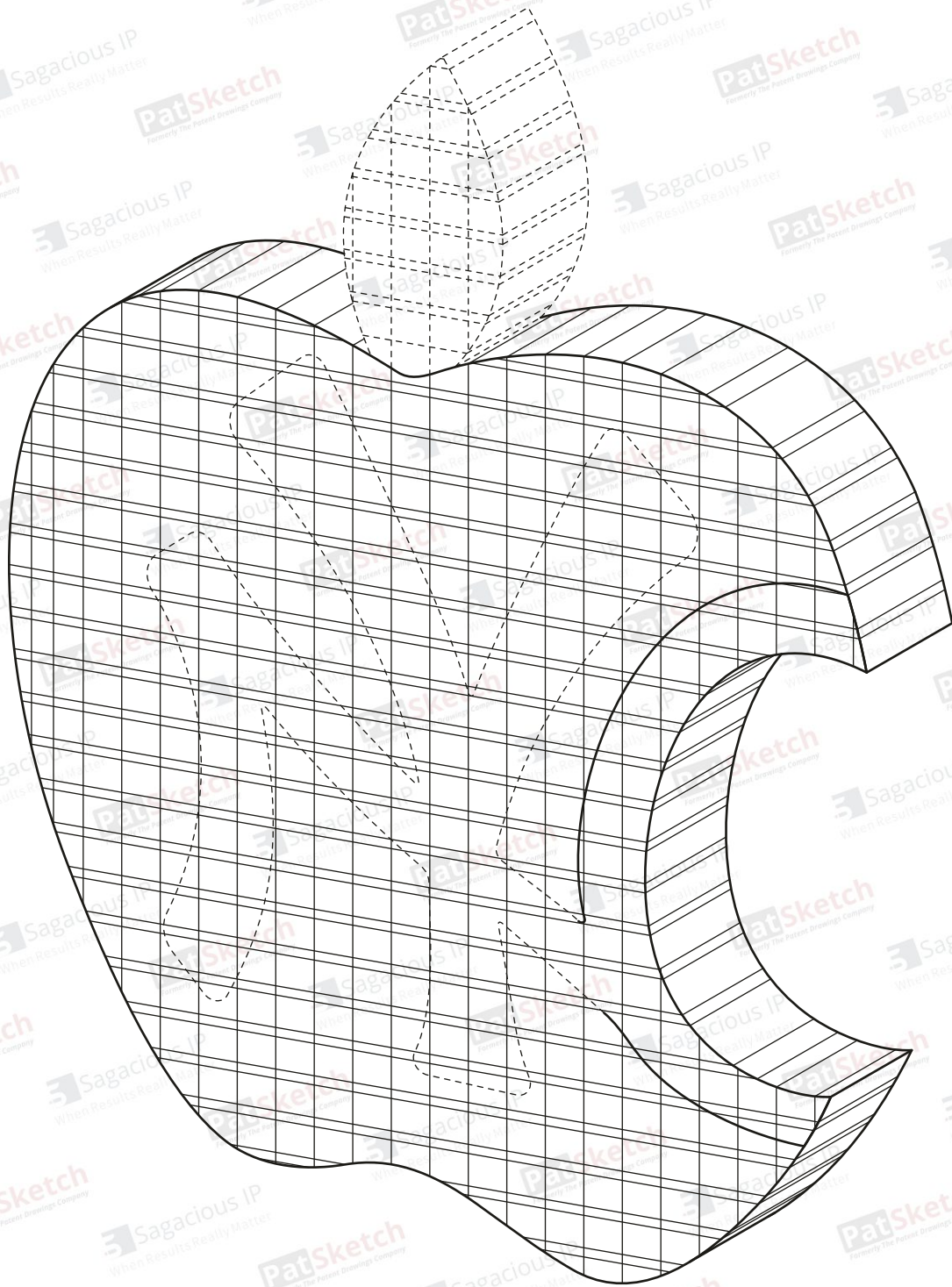
Design



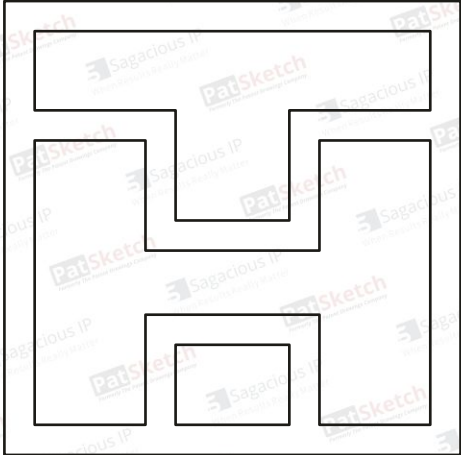
Design



Trademark



Trademark




Townhouse PARTNERS


Trademark



Thank You

16+ Years | 11 Offices in 8 Countries | 500+ Techno-Legal Professionals
6,500+ Clients | 70,000+ Projects Delivered Worldwide in 16+ Languages | 100+ Countries Covered in Searches

 info@sagaciousresearch.com

 www.sagaciousresearch.com