

FIG. 1

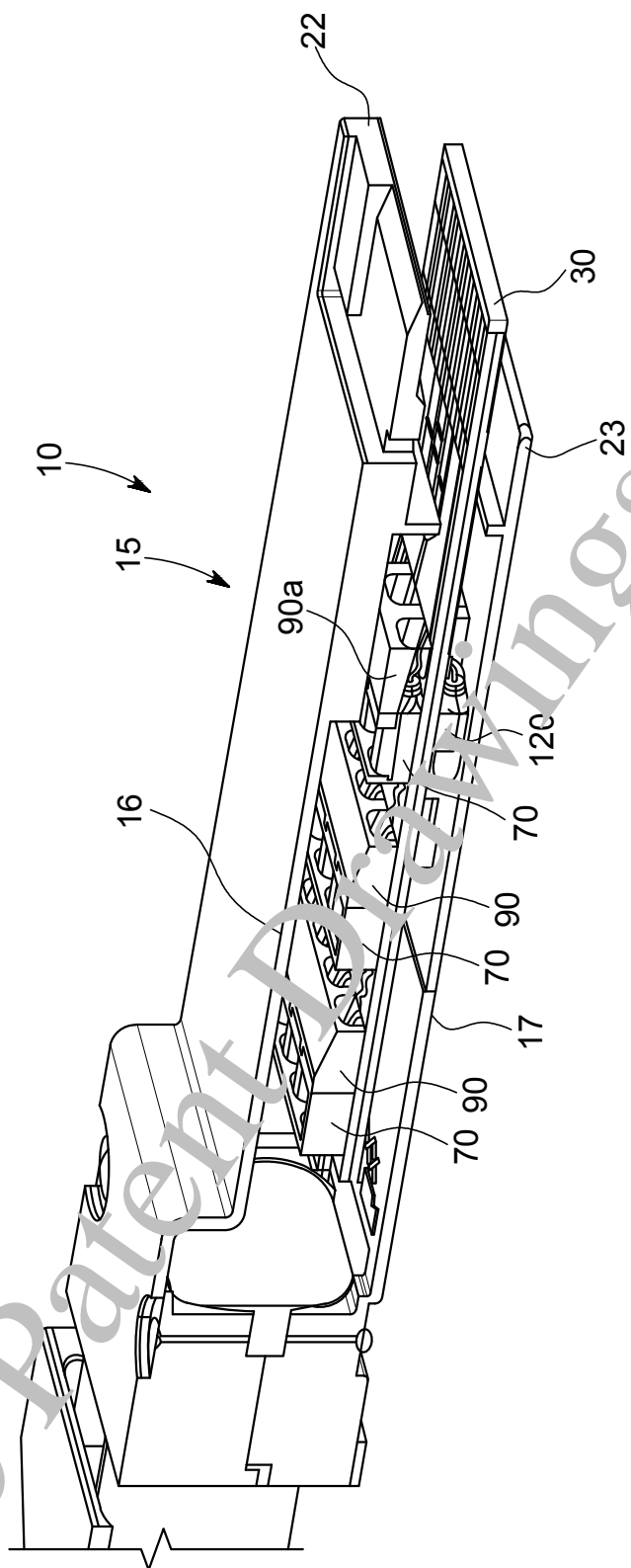


FIG. 2

The Patent Drawings Company

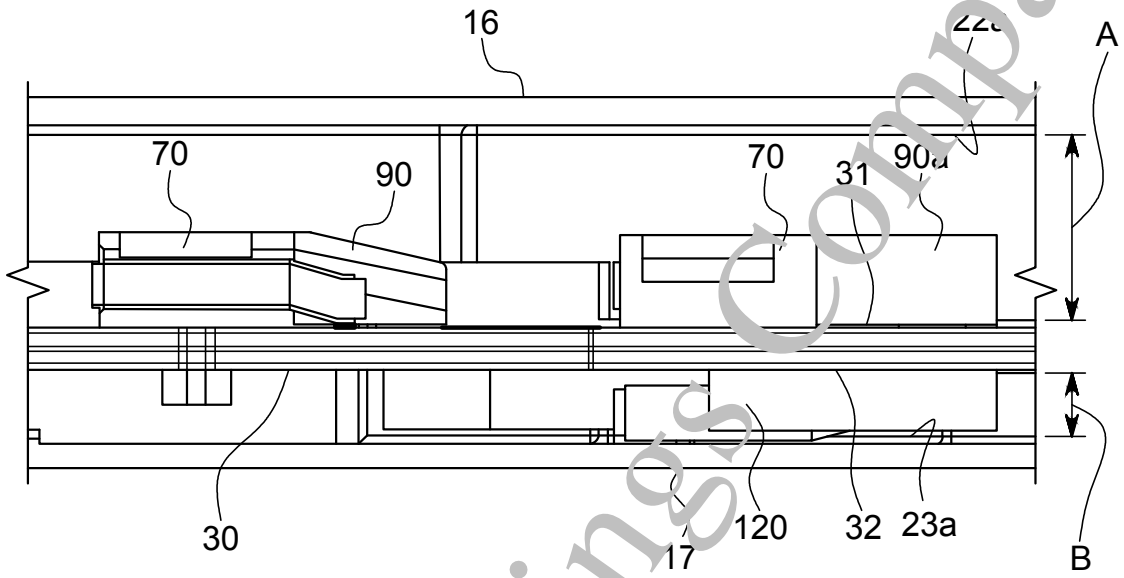


FIG 3

The Patent Drawings Company

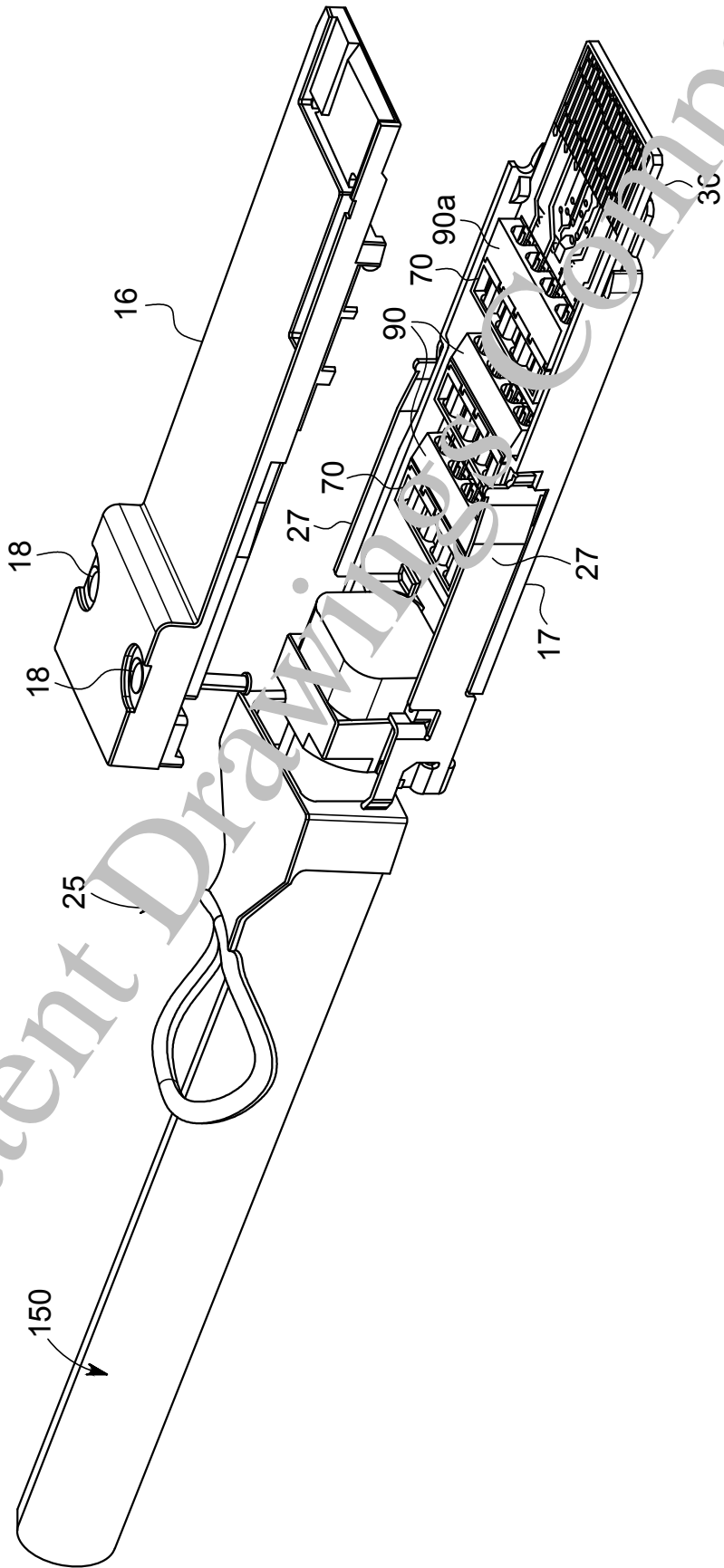


FIG. 4

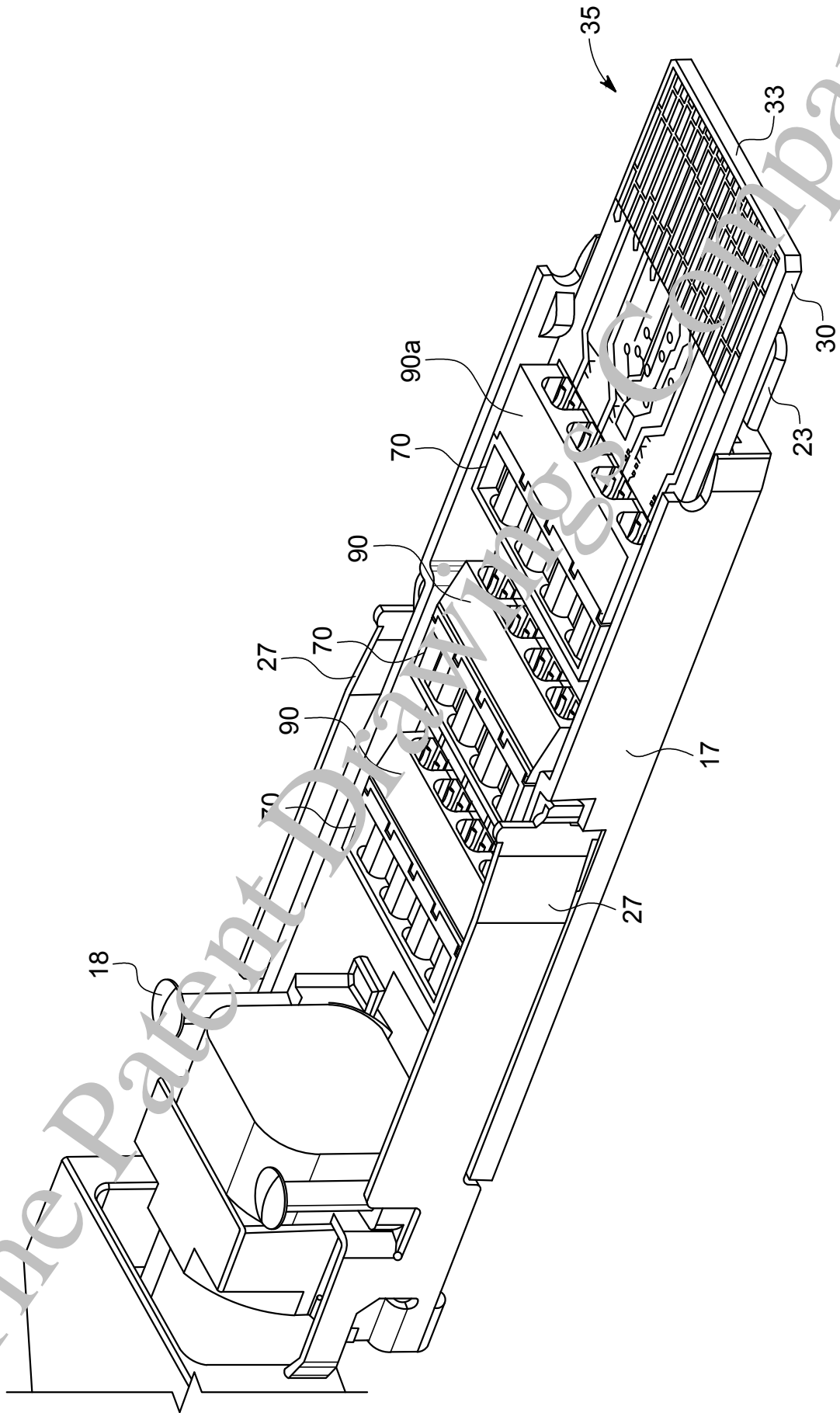


FIG. 5

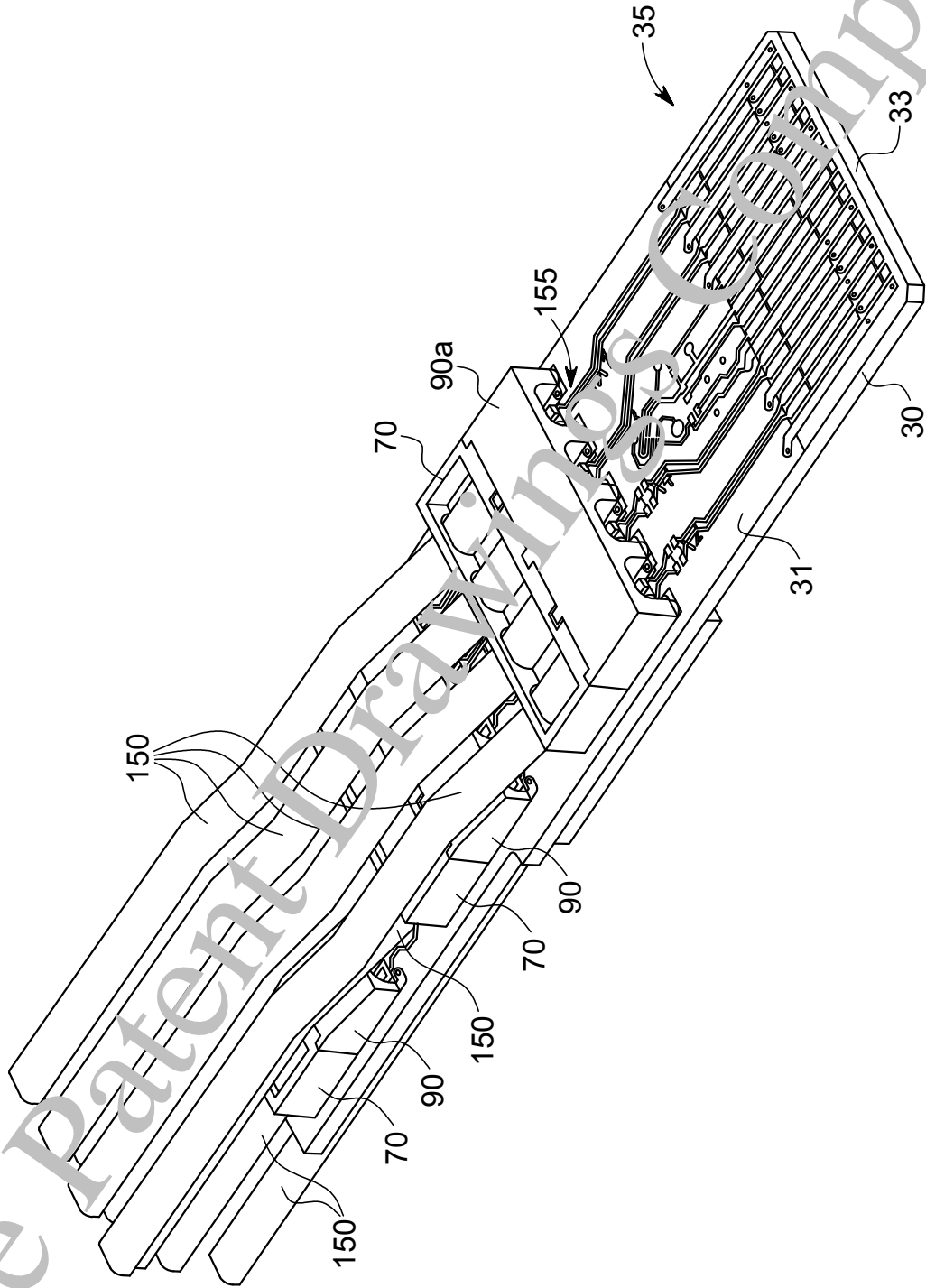


FIG. 6

The Patent Drafting Company

7/25

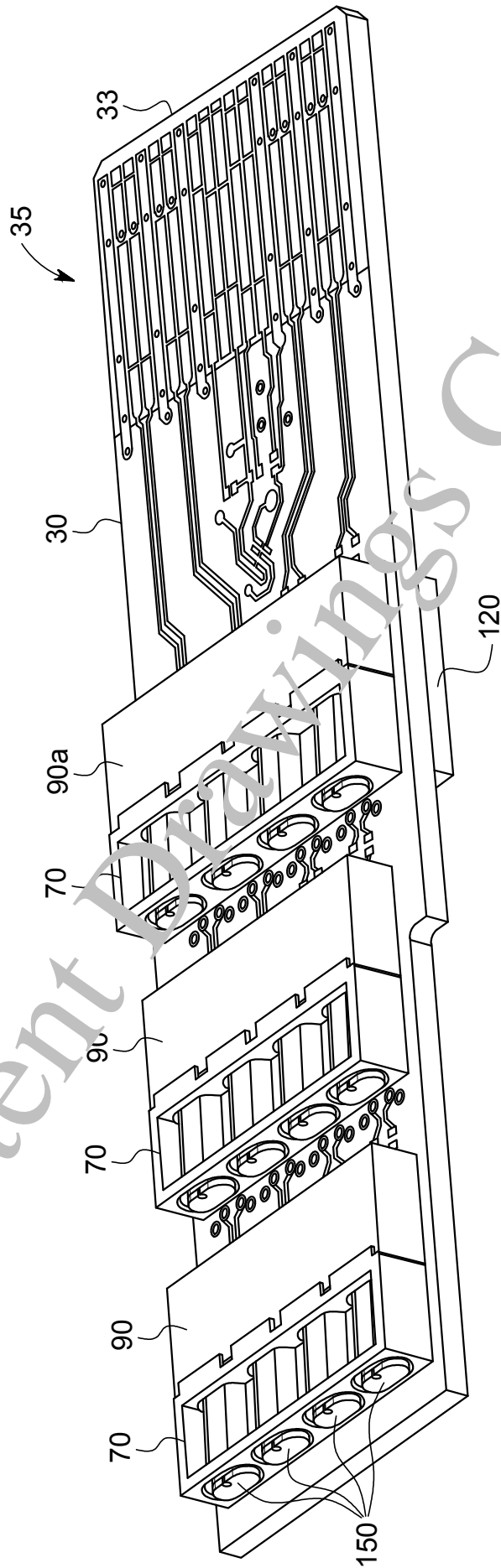


FIG. 7

8/25

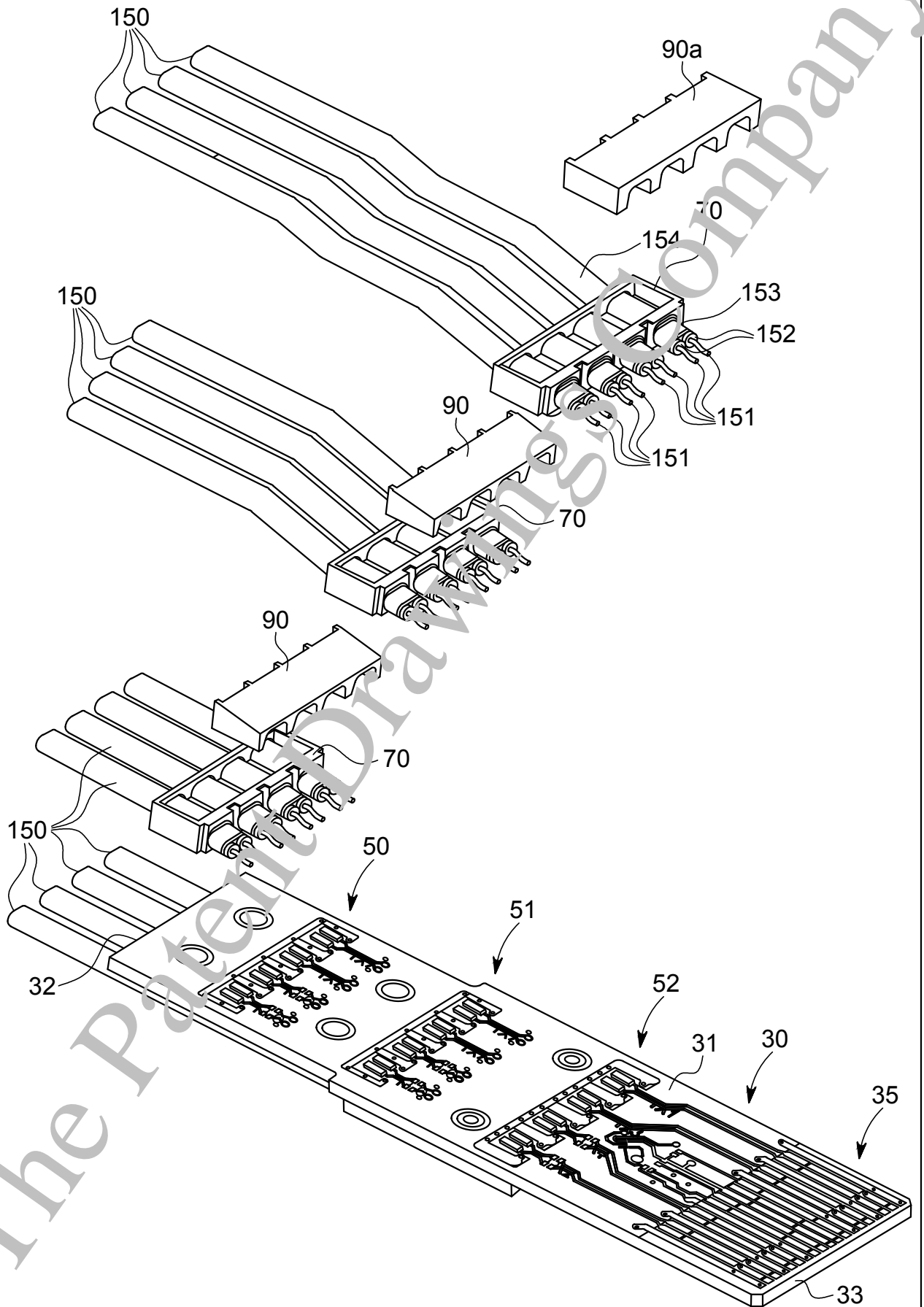


FIG. 8



9/25

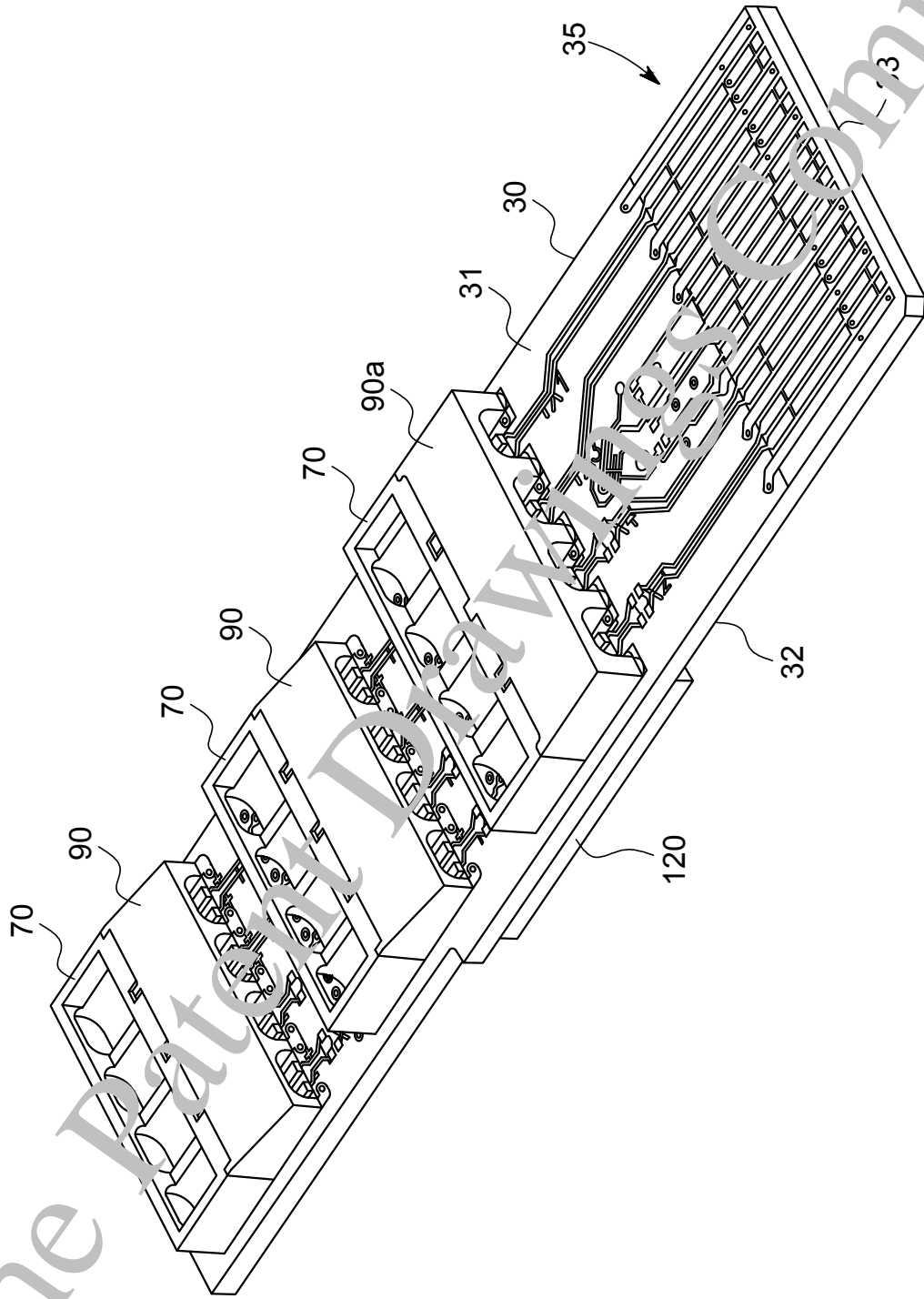


FIG. 9

10/25

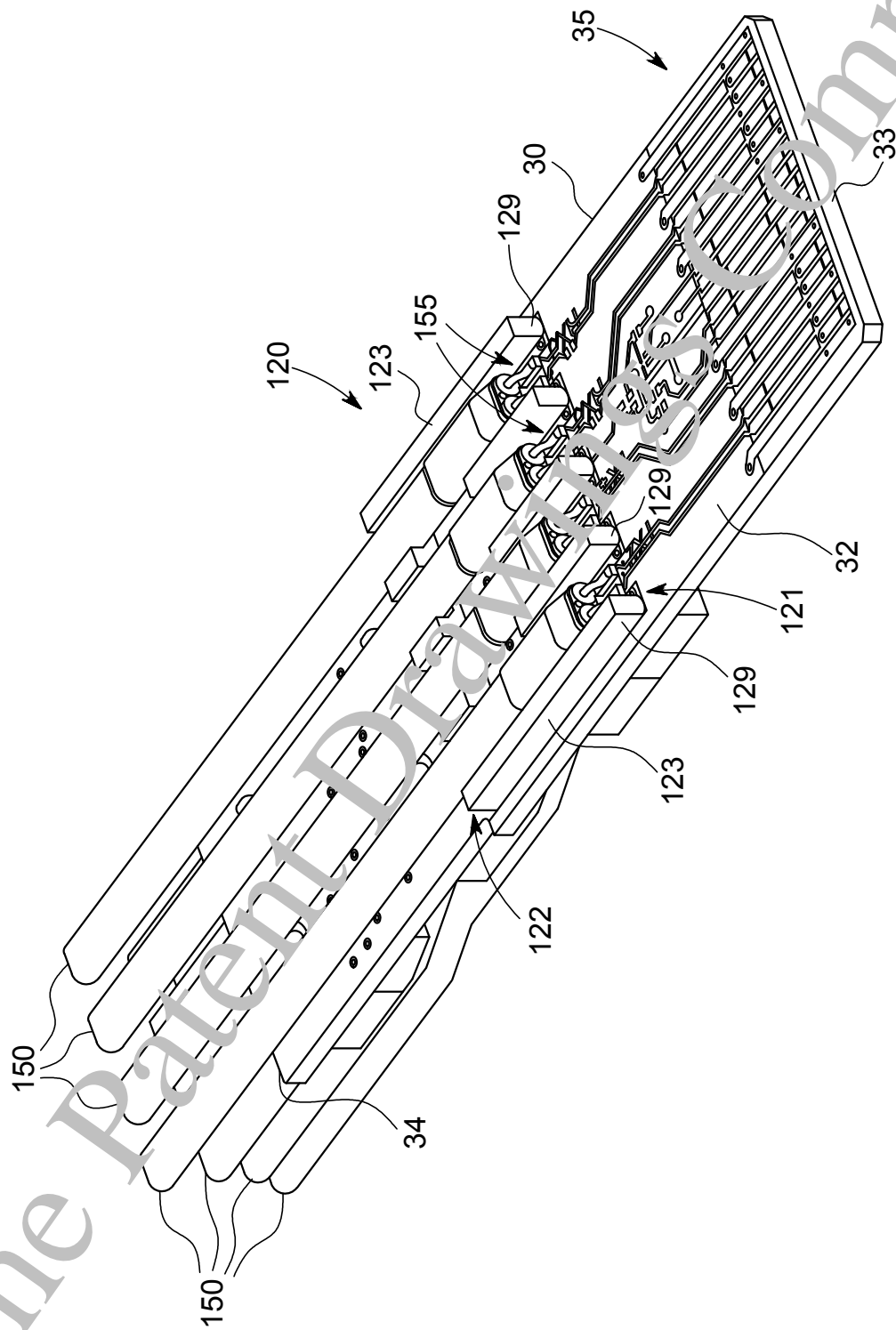


FIG. 10

11/25

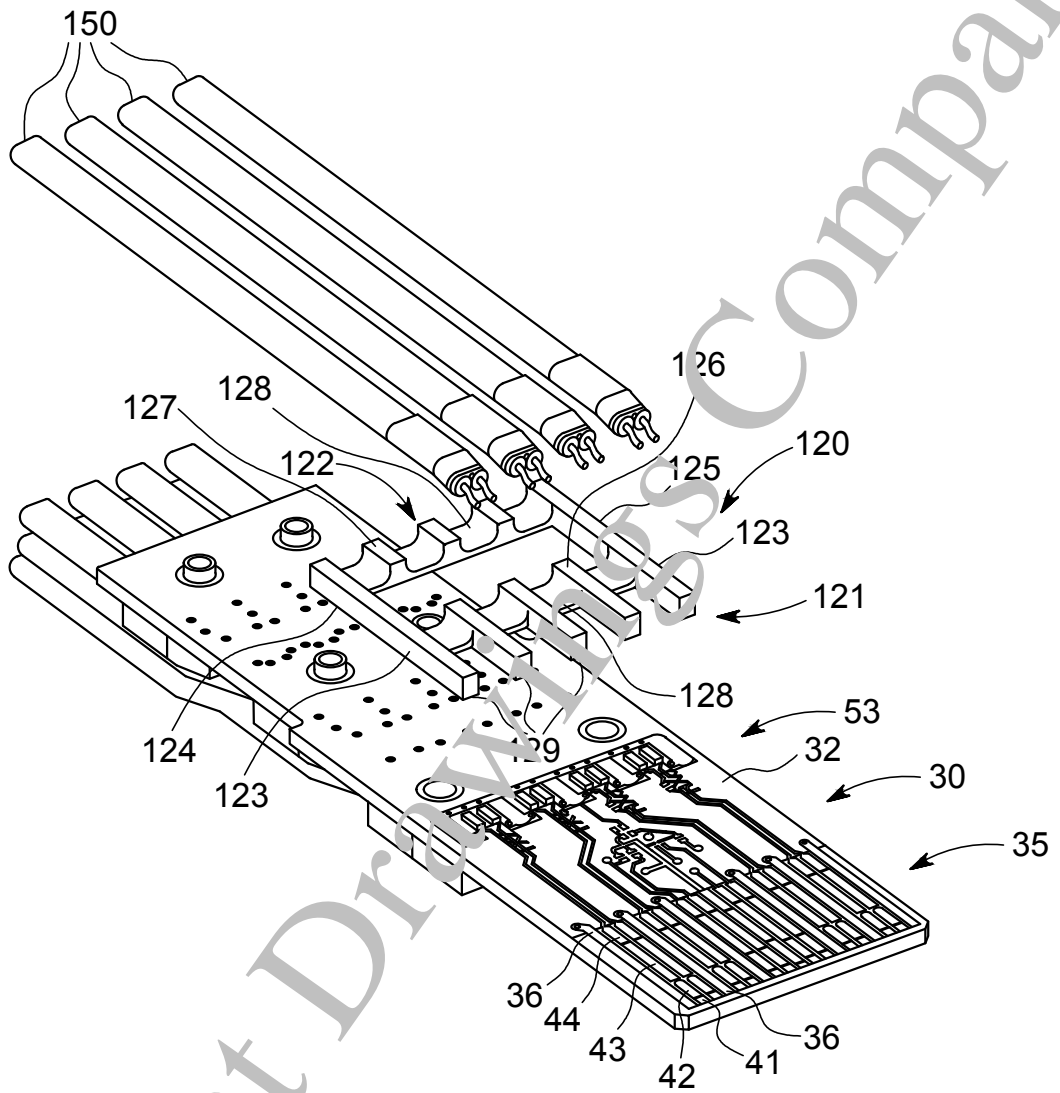


FIG. 11

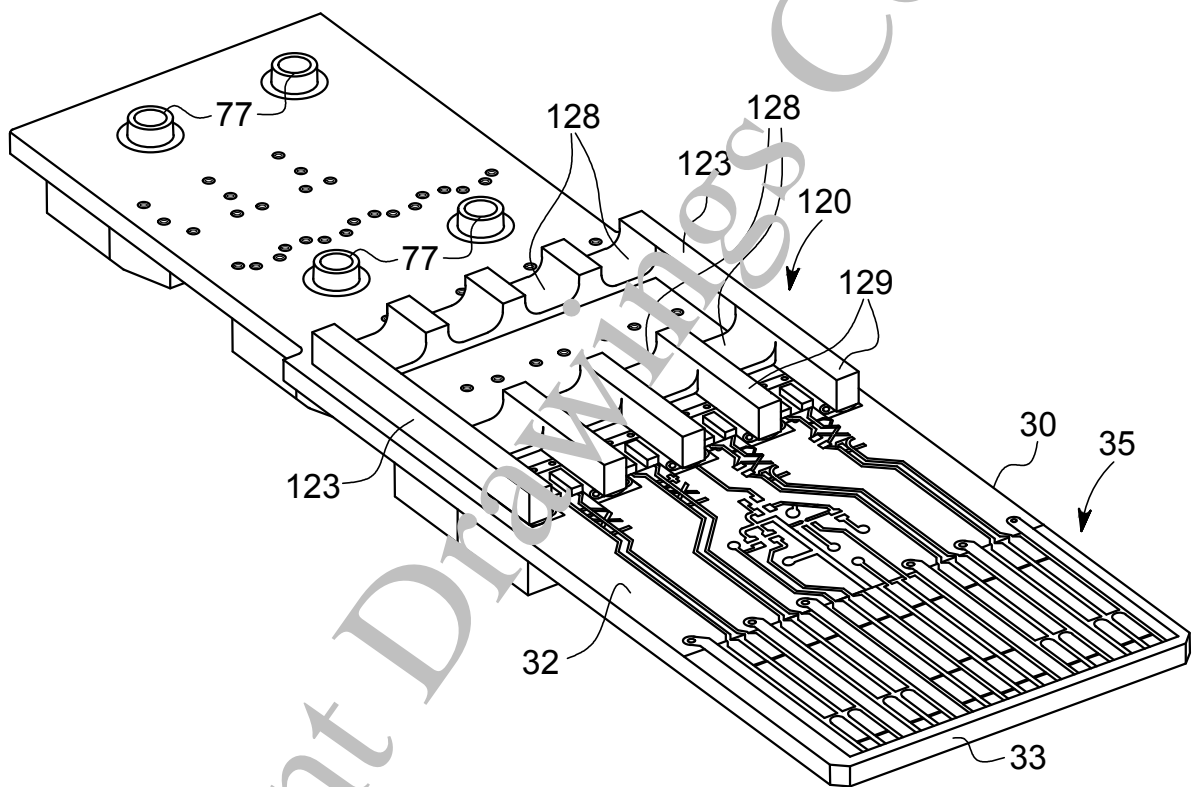


FIG. 12

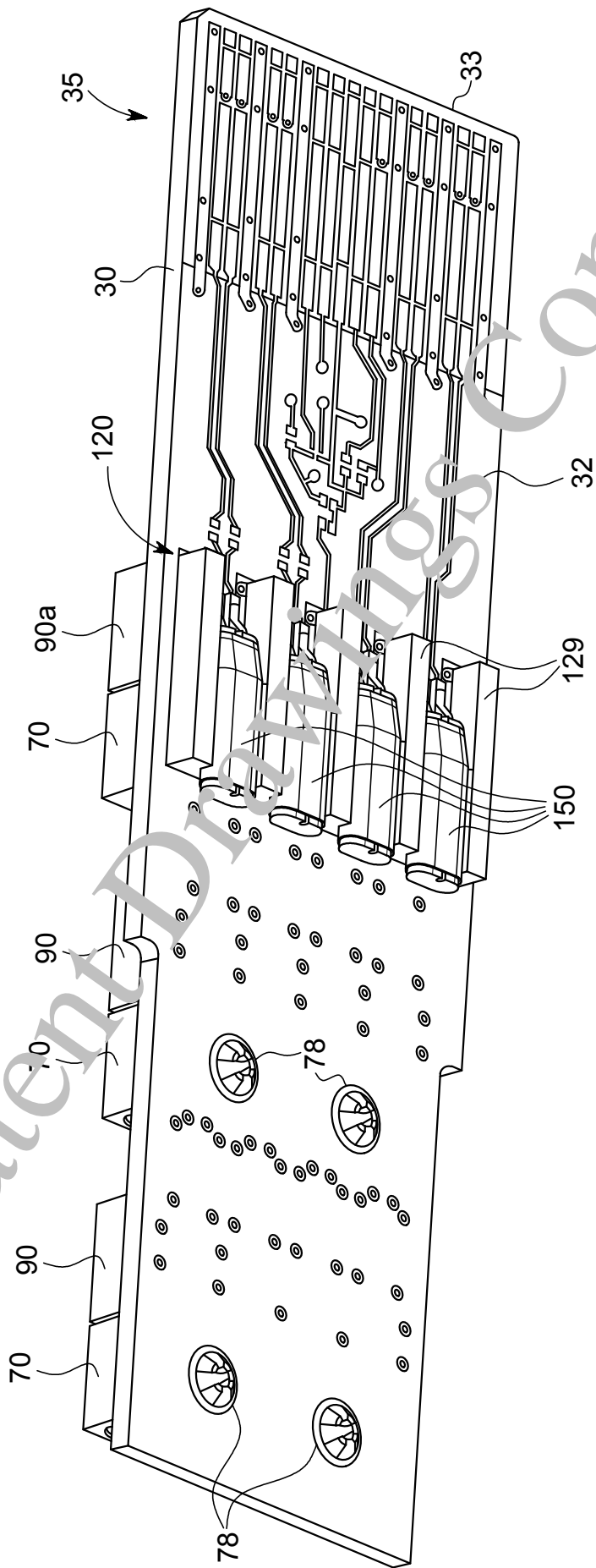


FIG. 13

The Patent Drafting Company

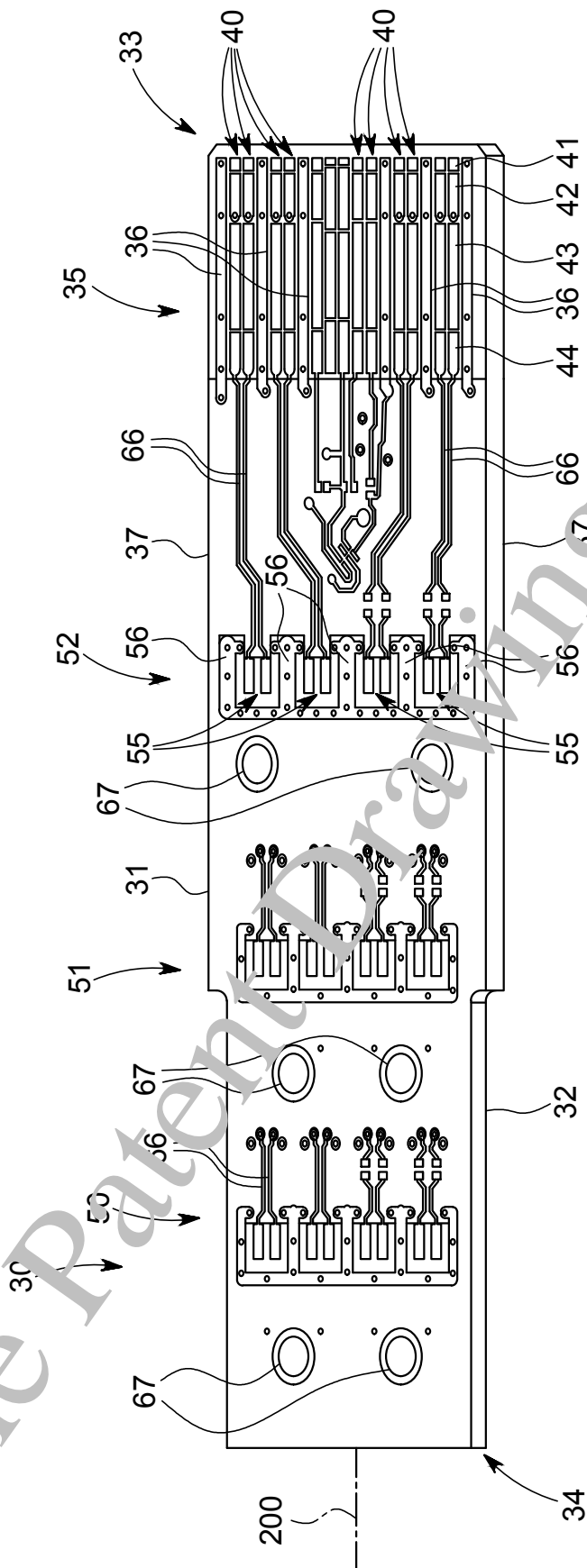


FIG. 14

The Patent Drawings Company

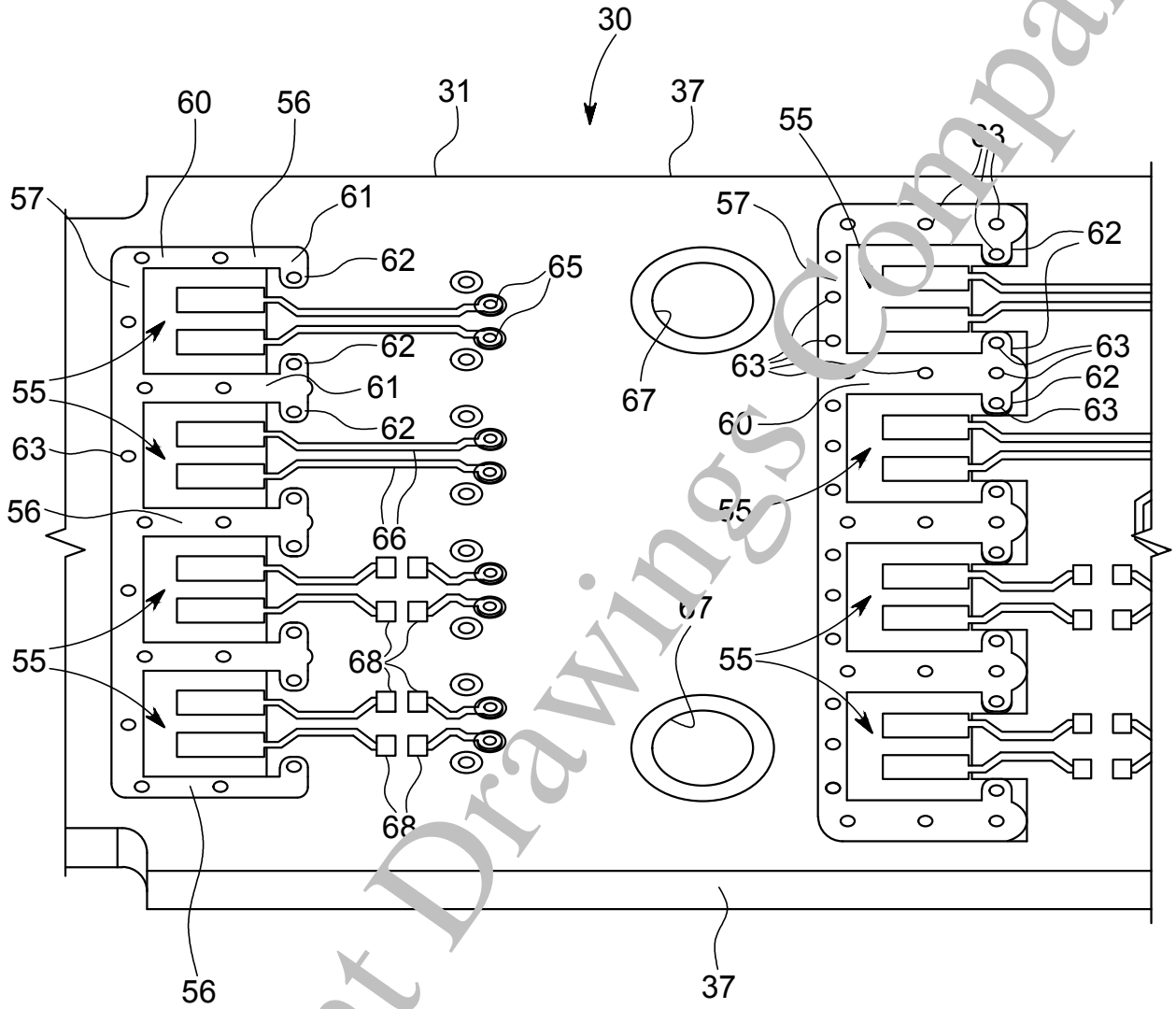


FIG. 15

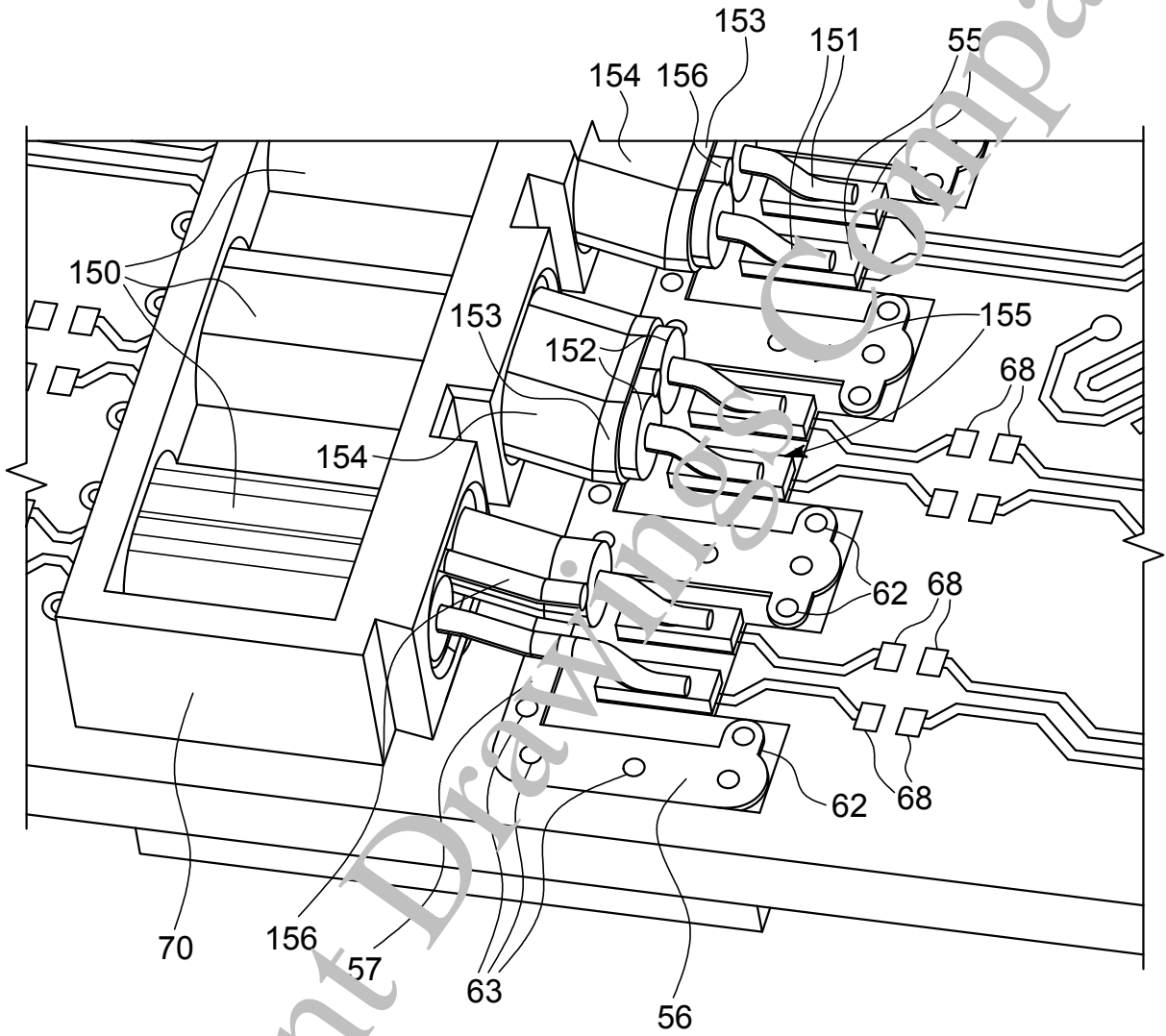


FIG. 16



17/25

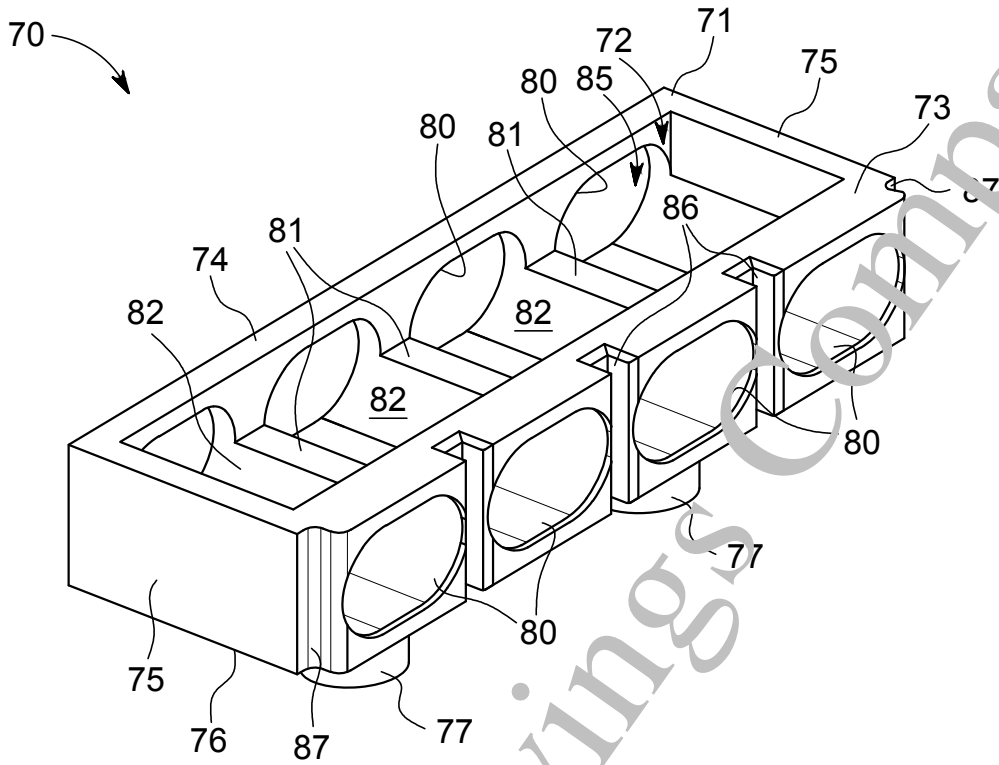


FIG. 17

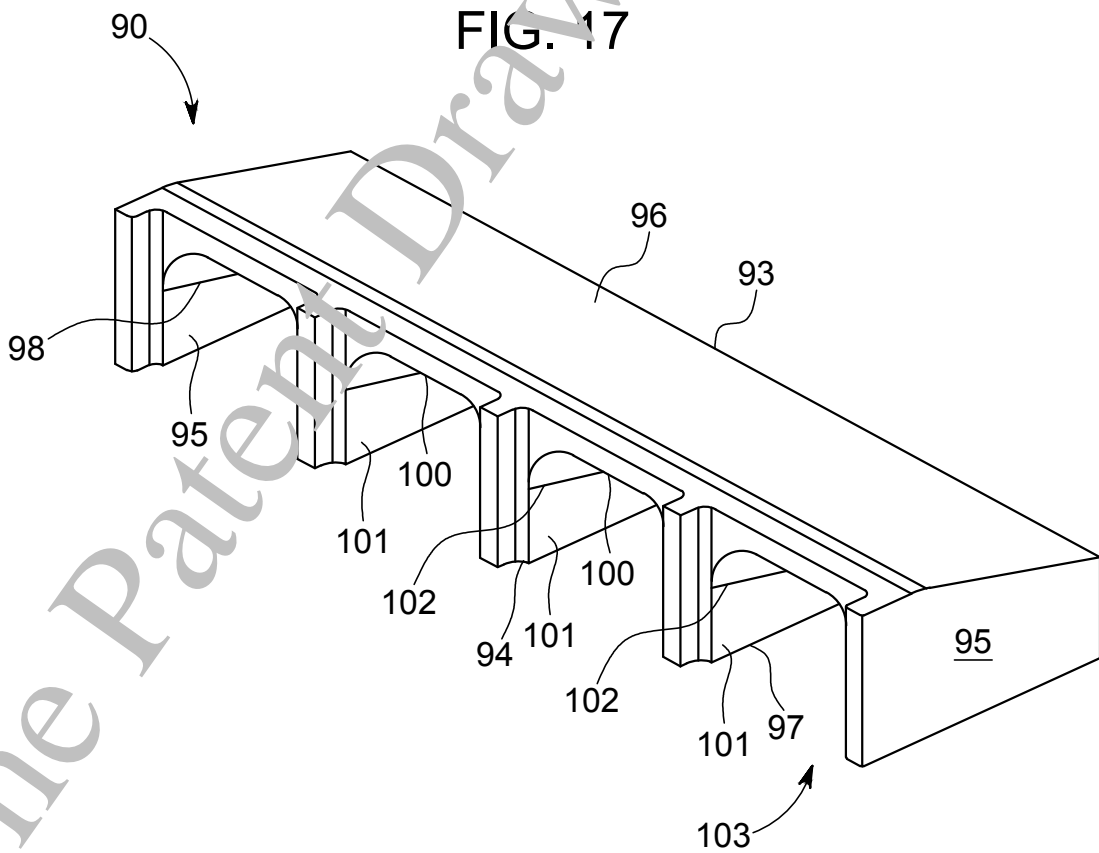


FIG. 18

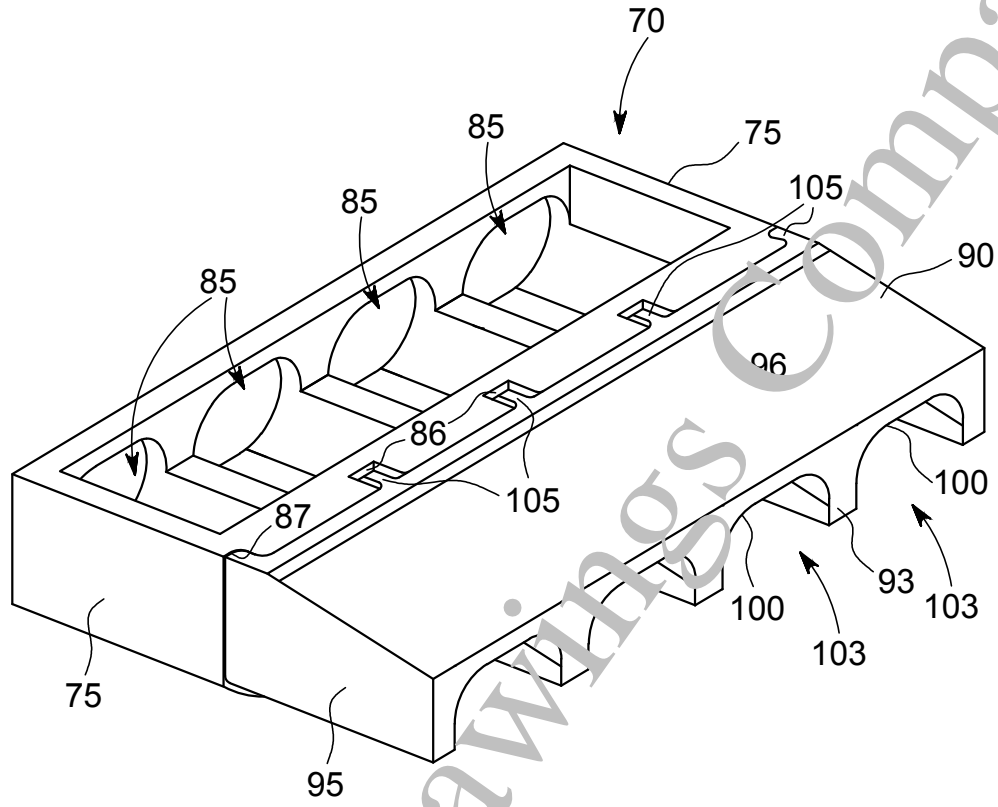


FIG. 19

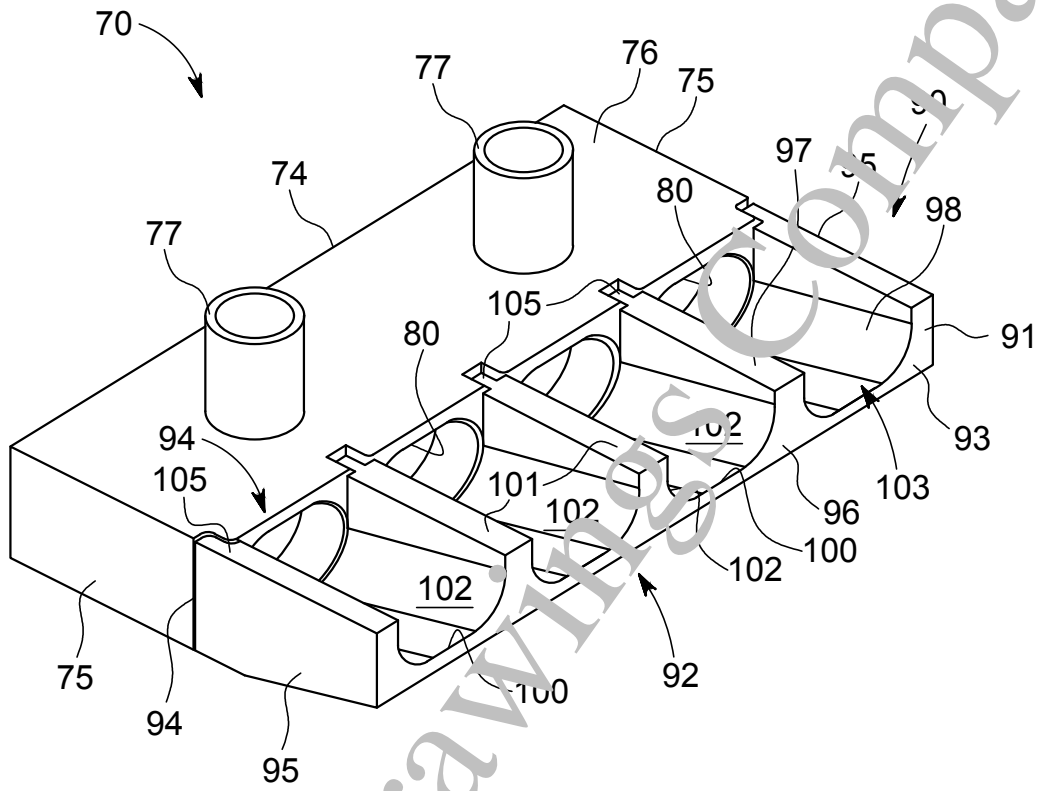


FIG. 20

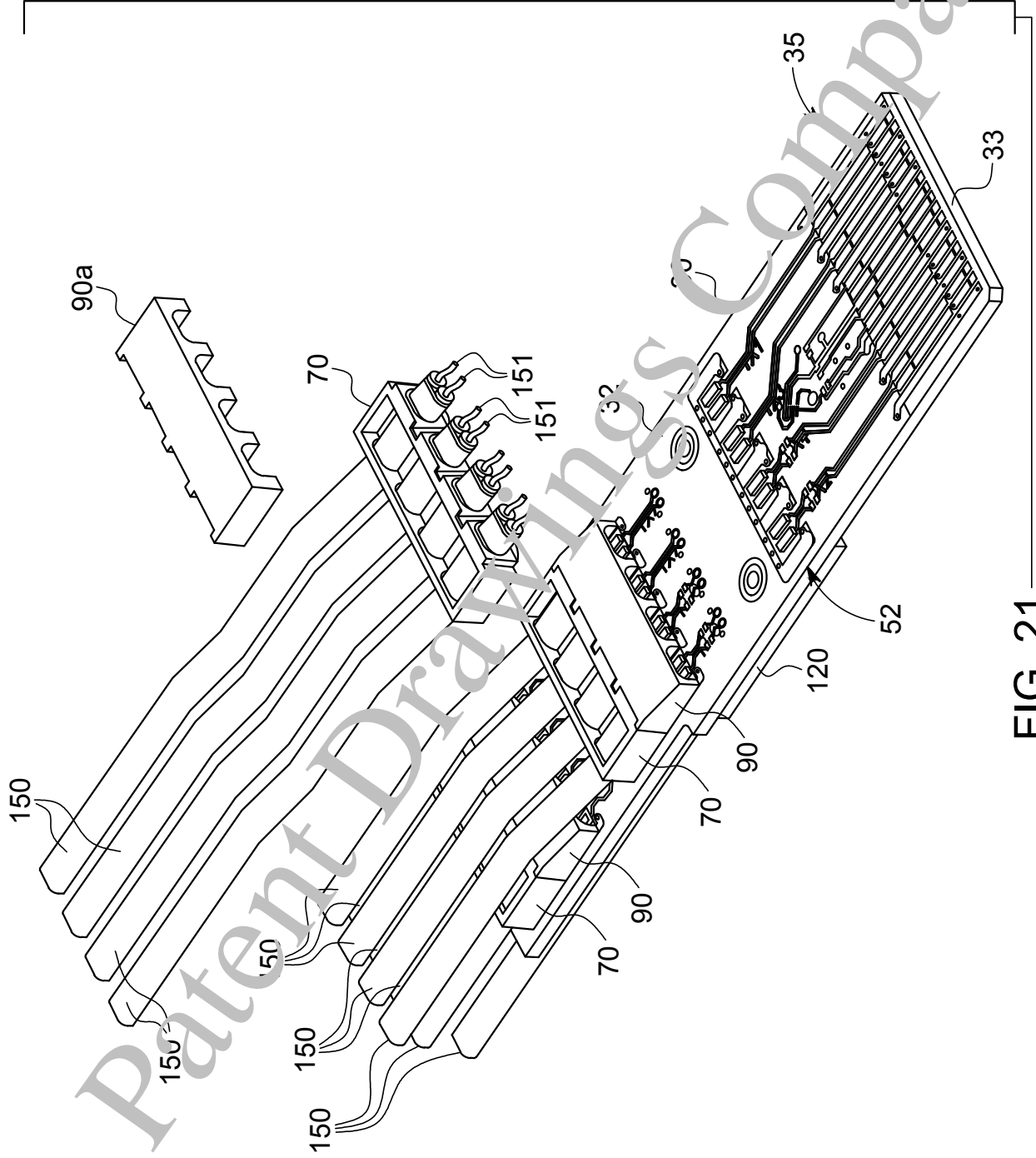


FIG. 21

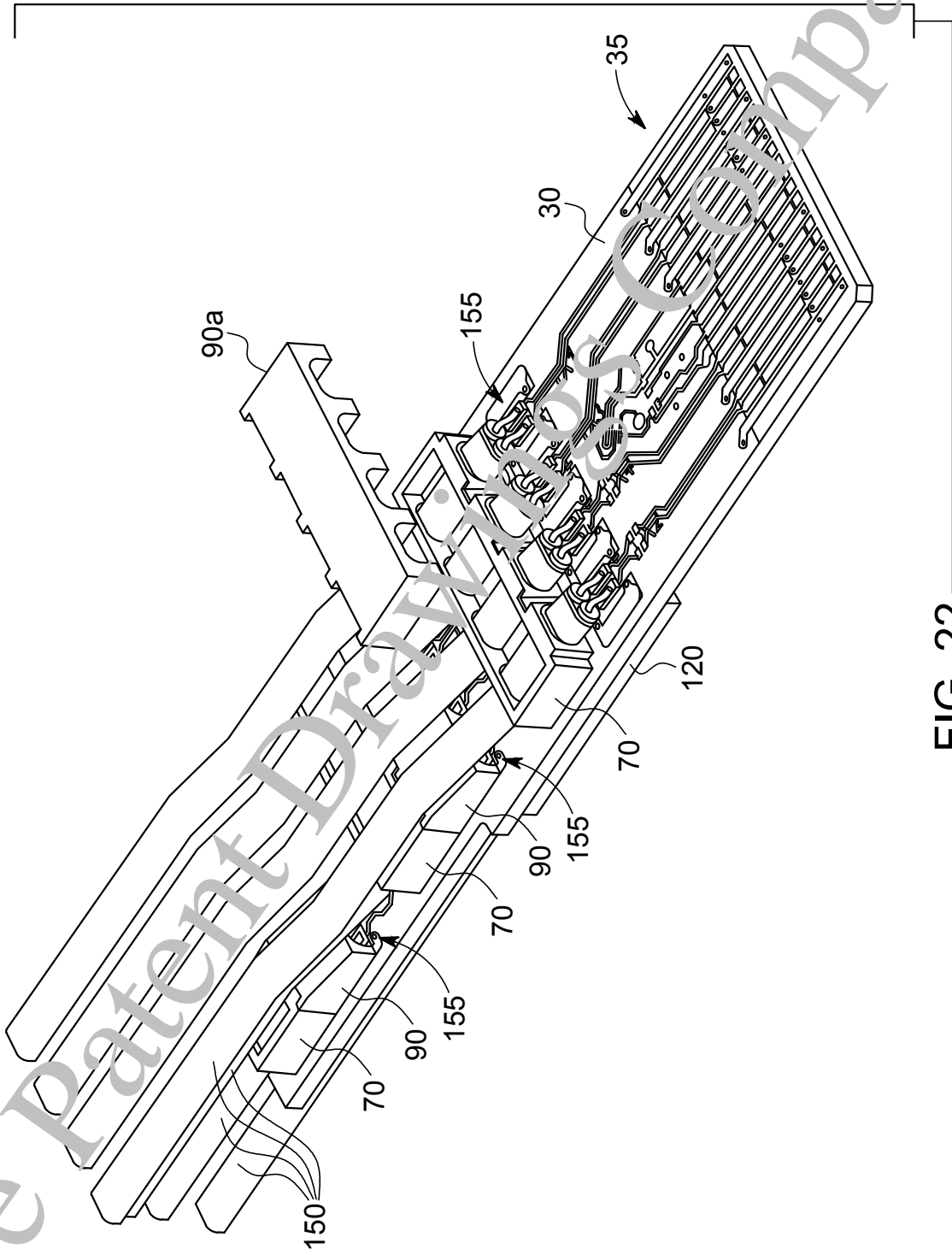


FIG. 22

The Patent Drafting Company

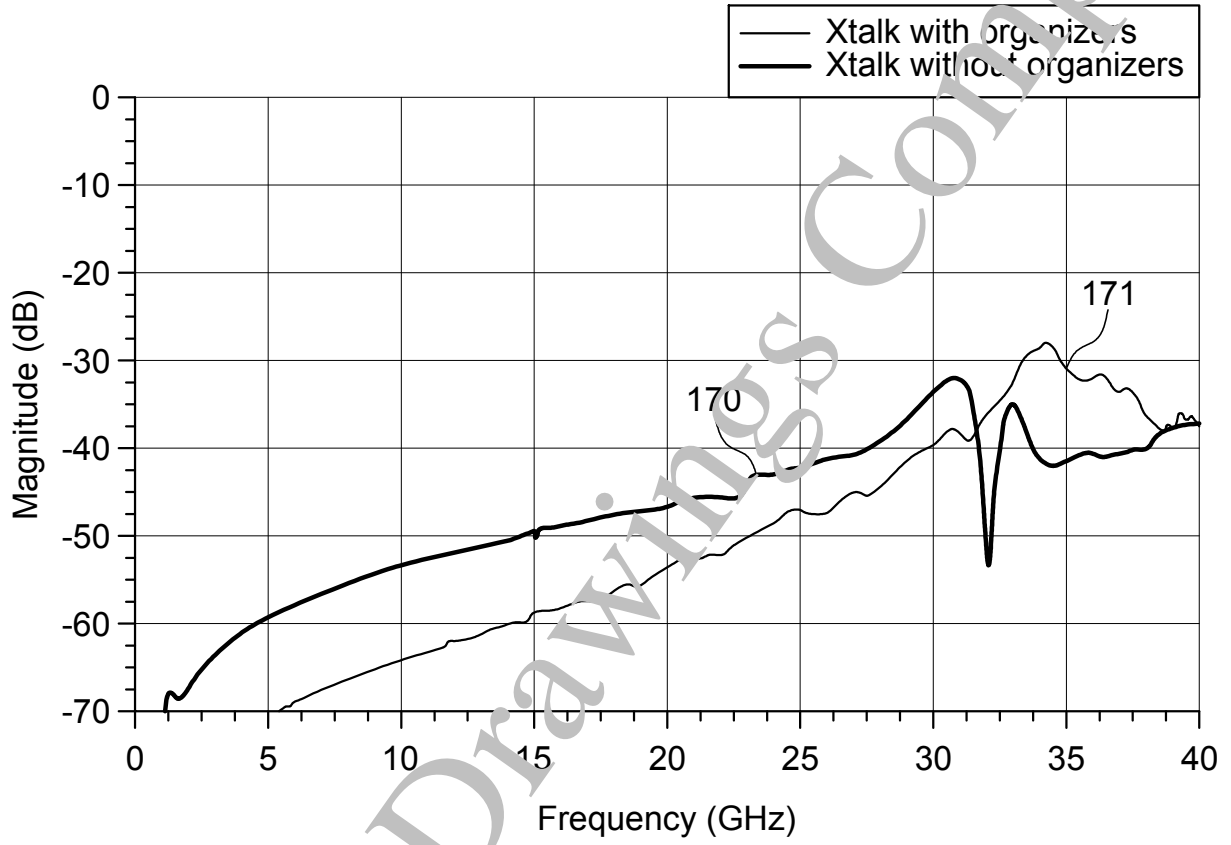


FIG. 23

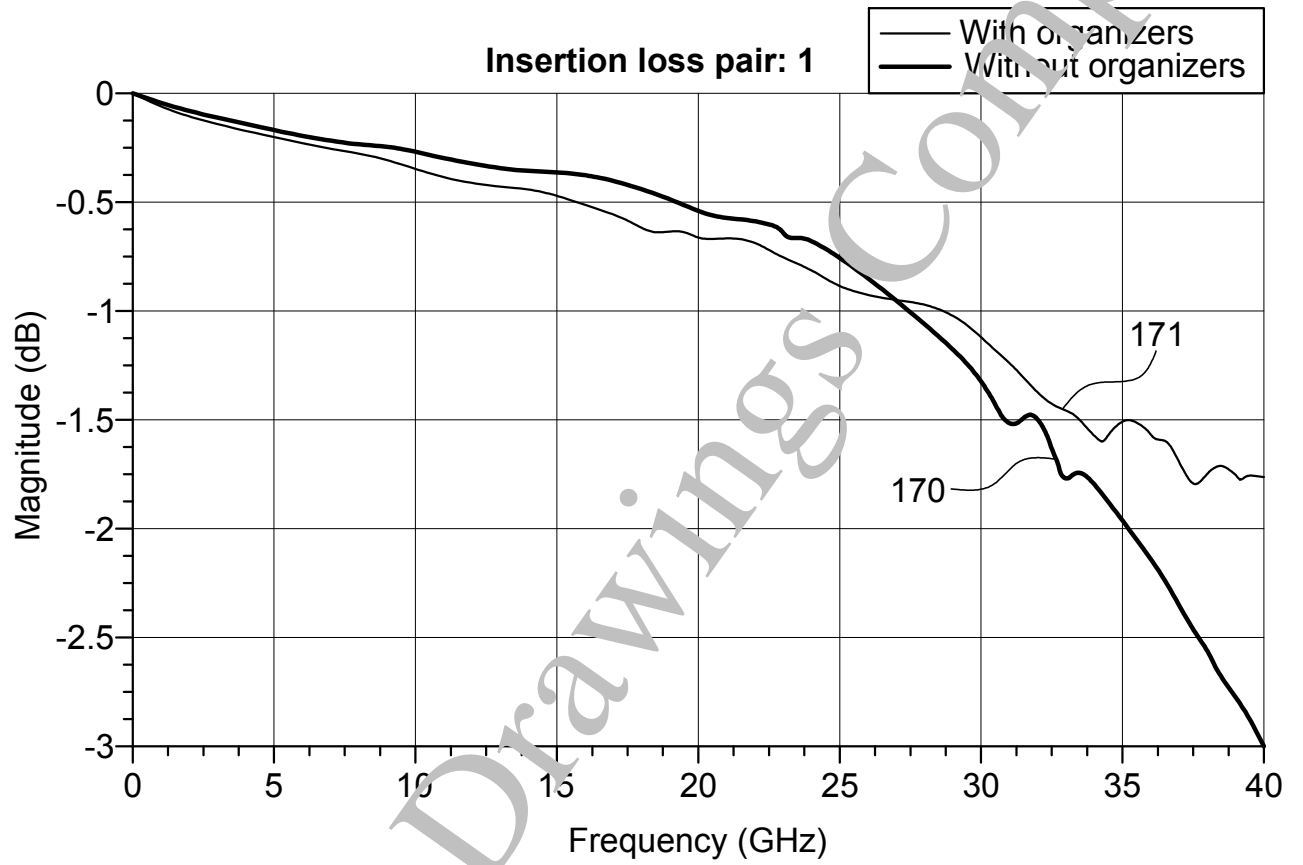


FIG. 24

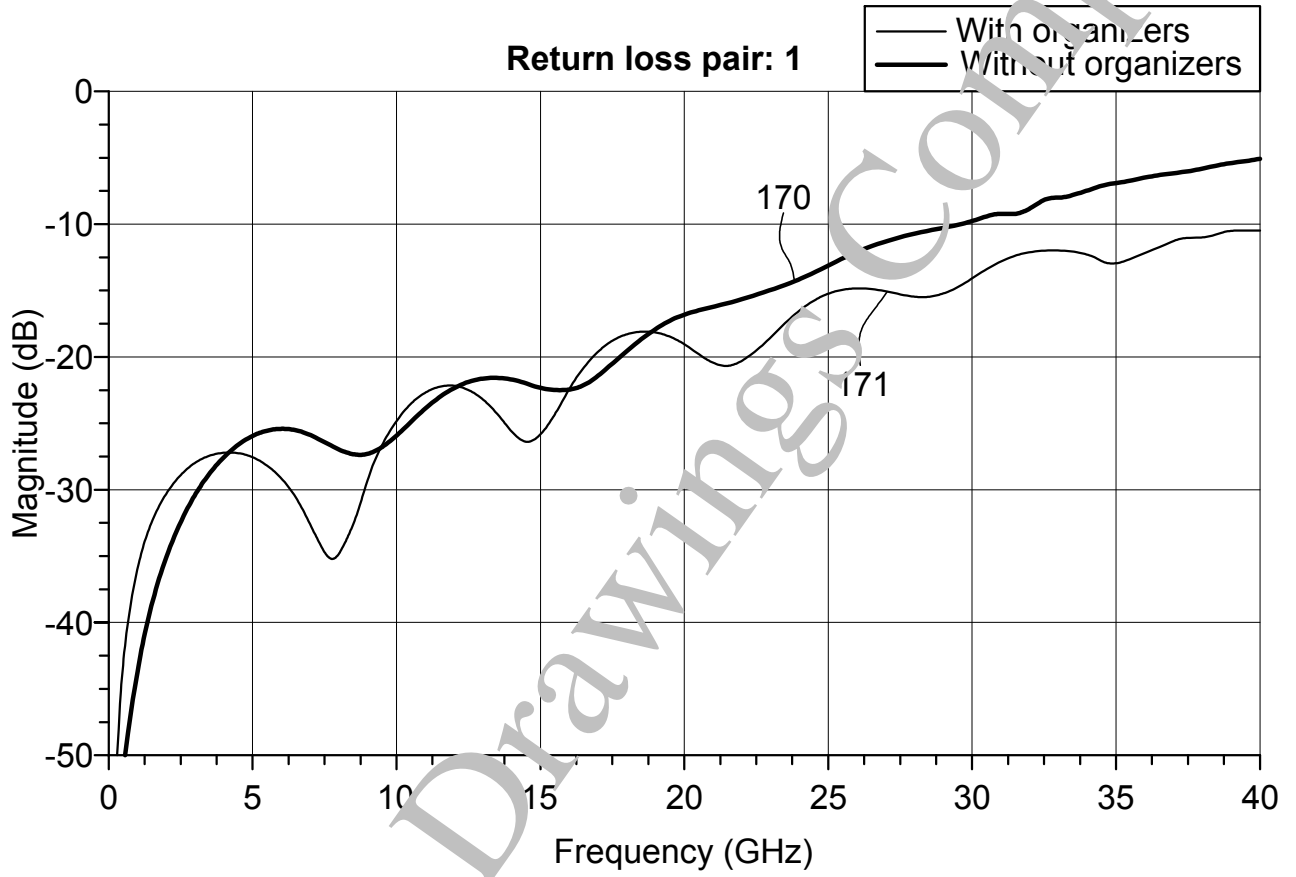


FIG. 25



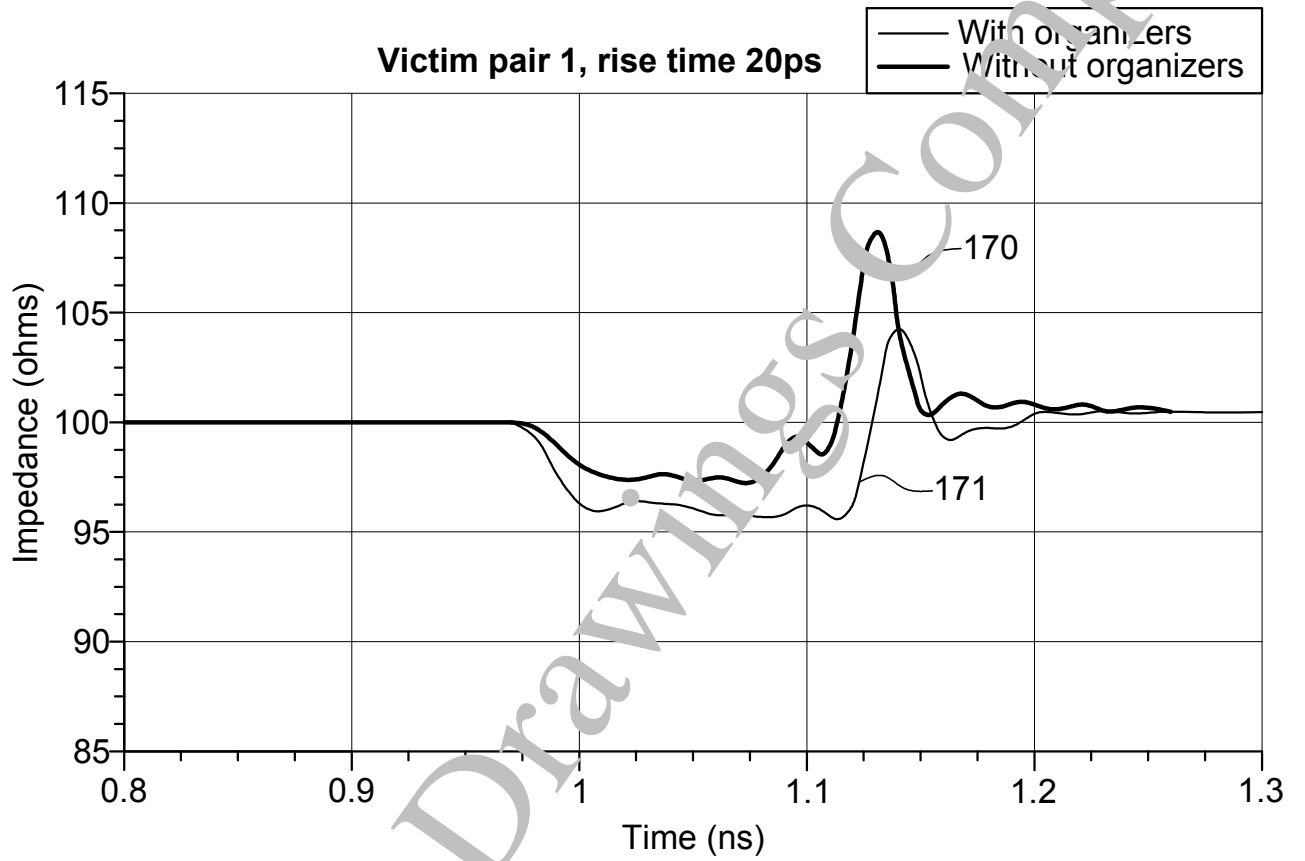


FIG. 26