

FIG. 1

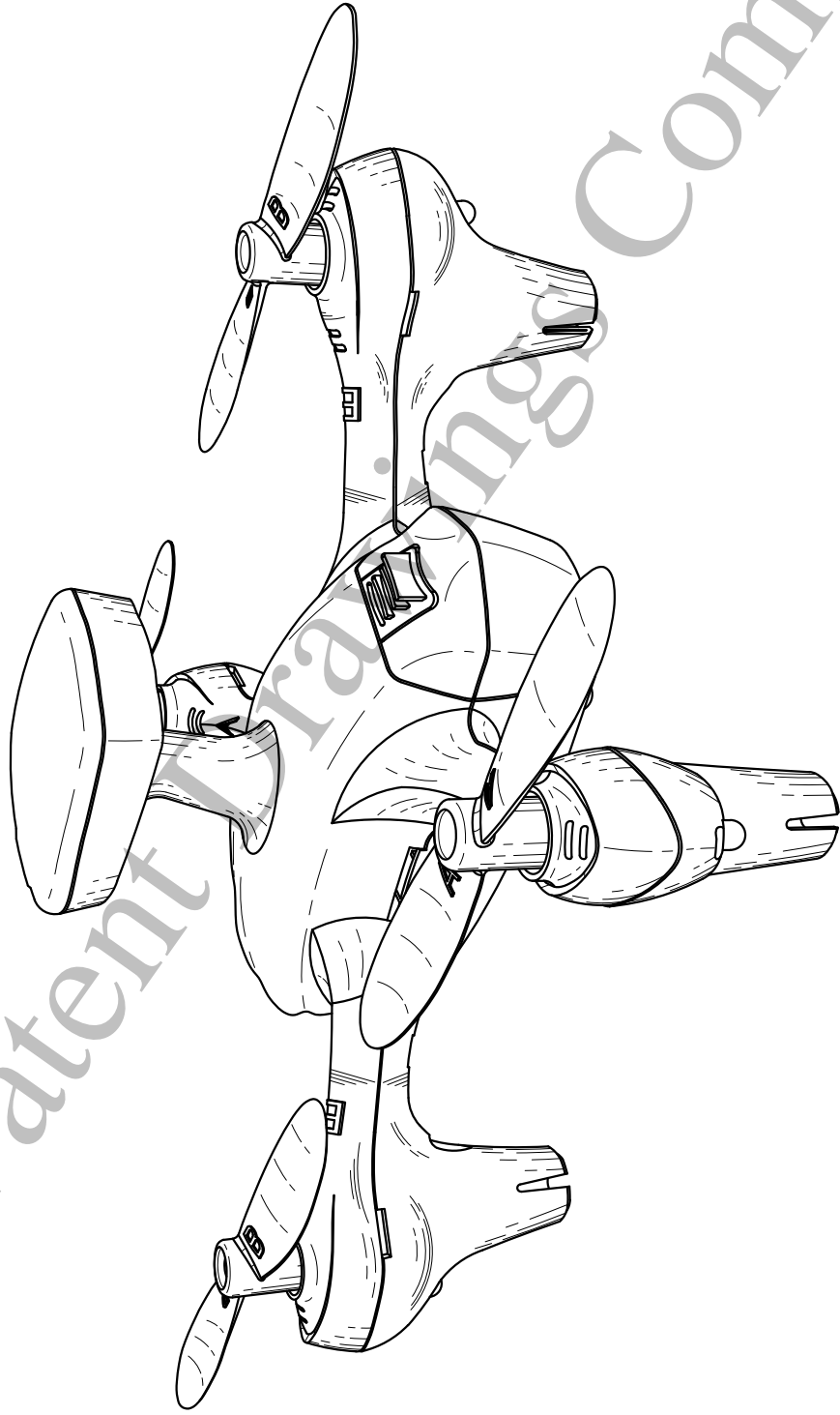


FIG. 2

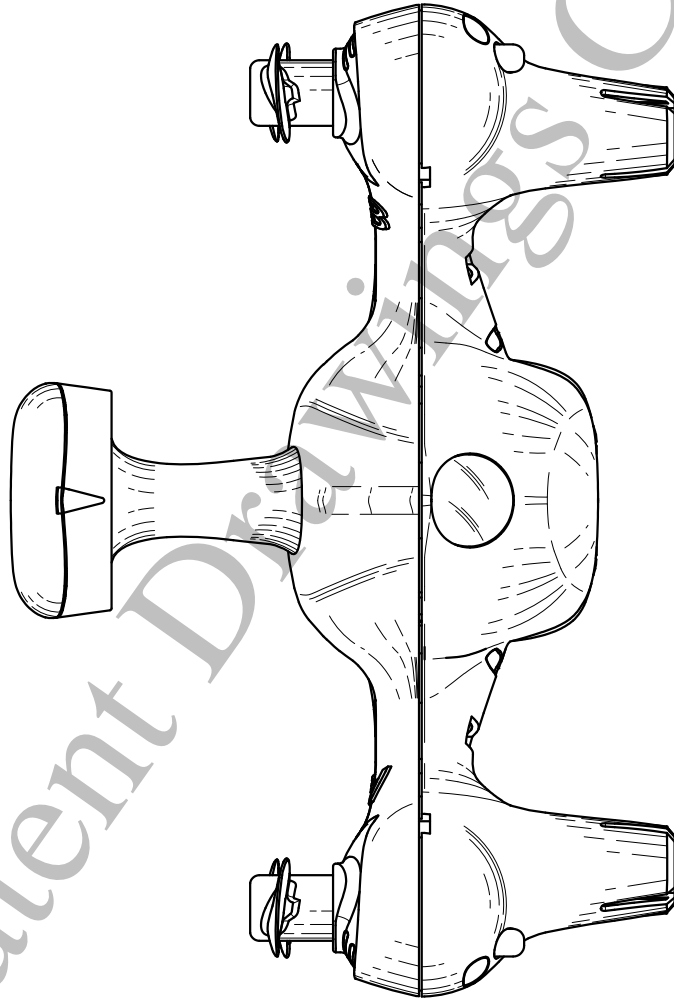


FIG. 3

The Patent Drawings Company

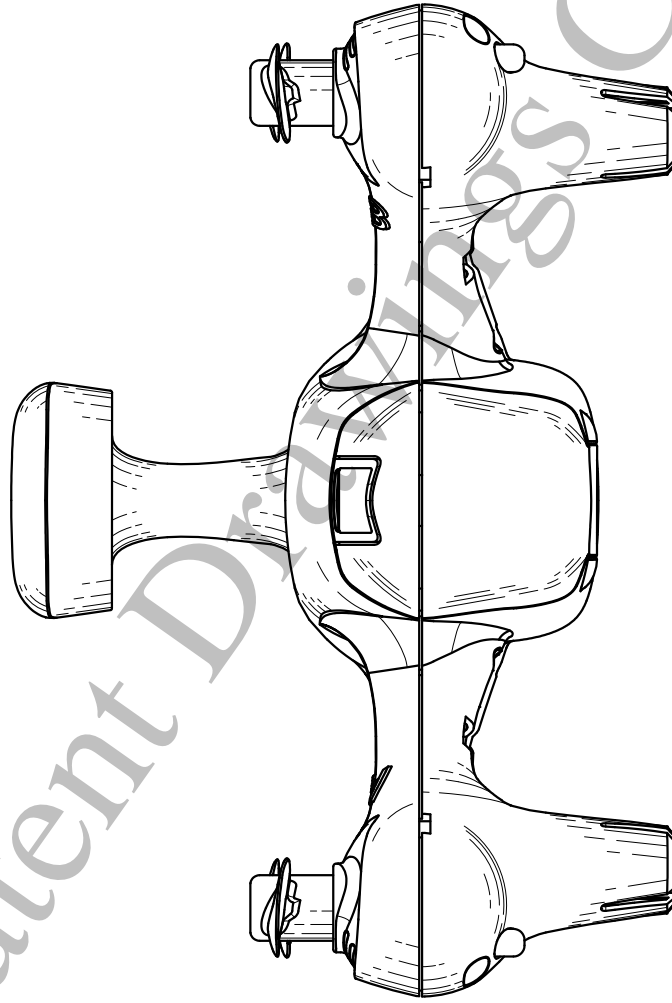


FIG. 4

The Patent Drafting Company

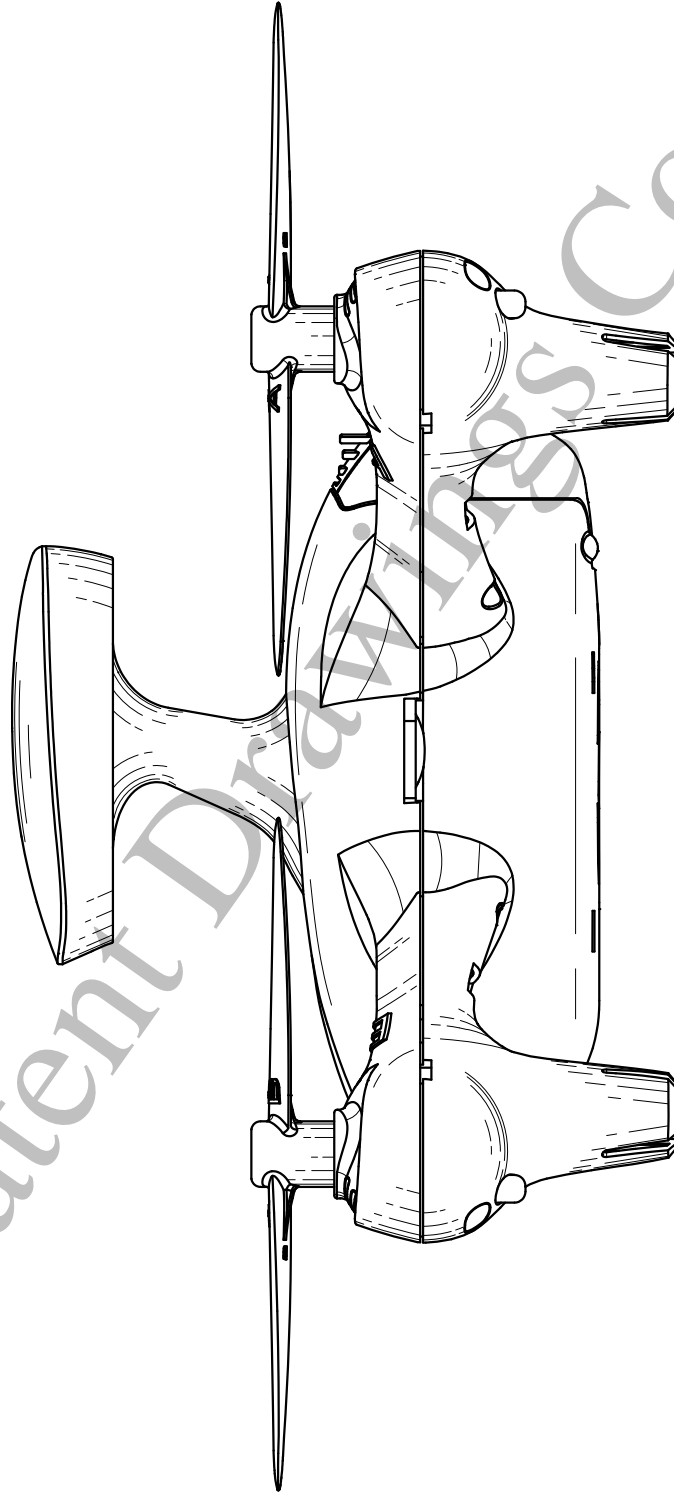


FIG. 5

The Patent Drafting Company

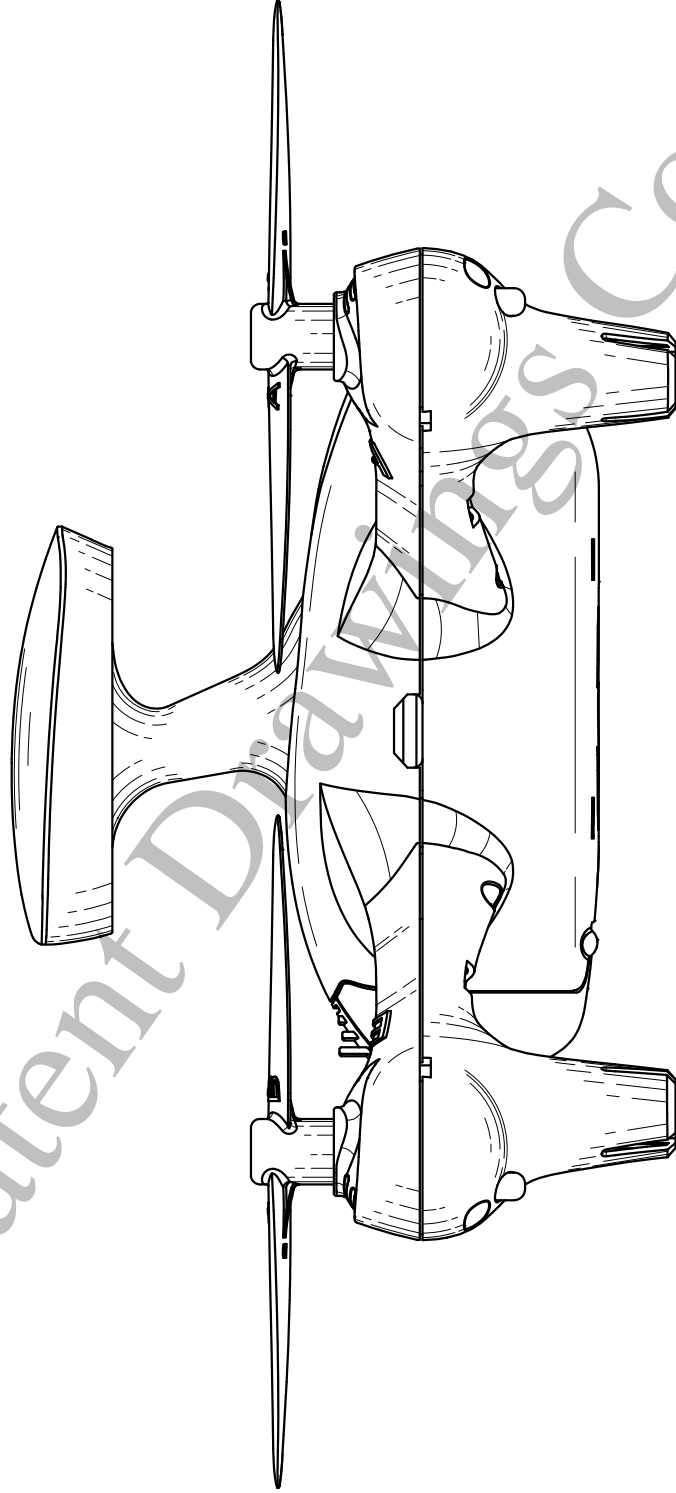


FIG. 6

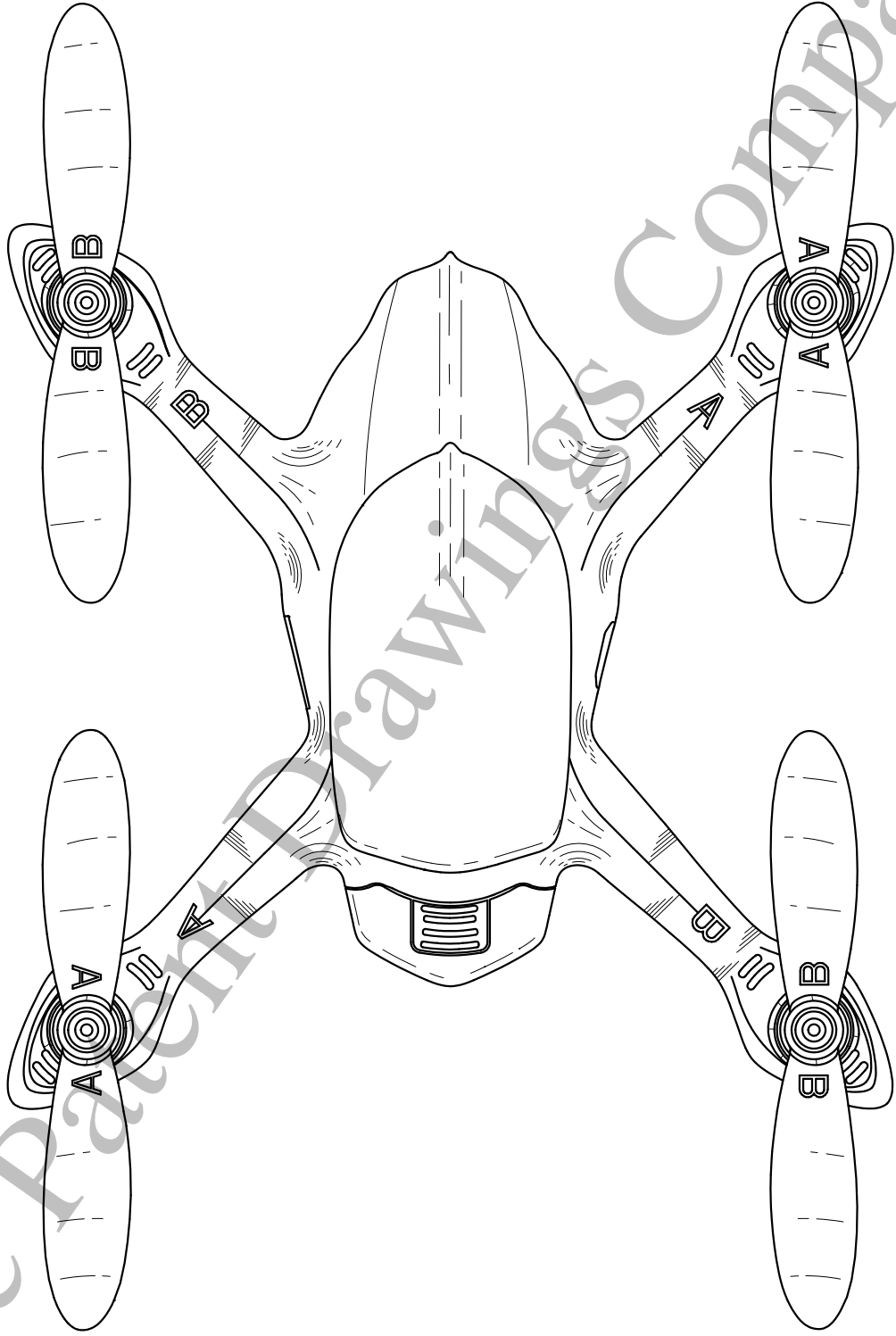


FIG. 7

The Patent Drawings Company

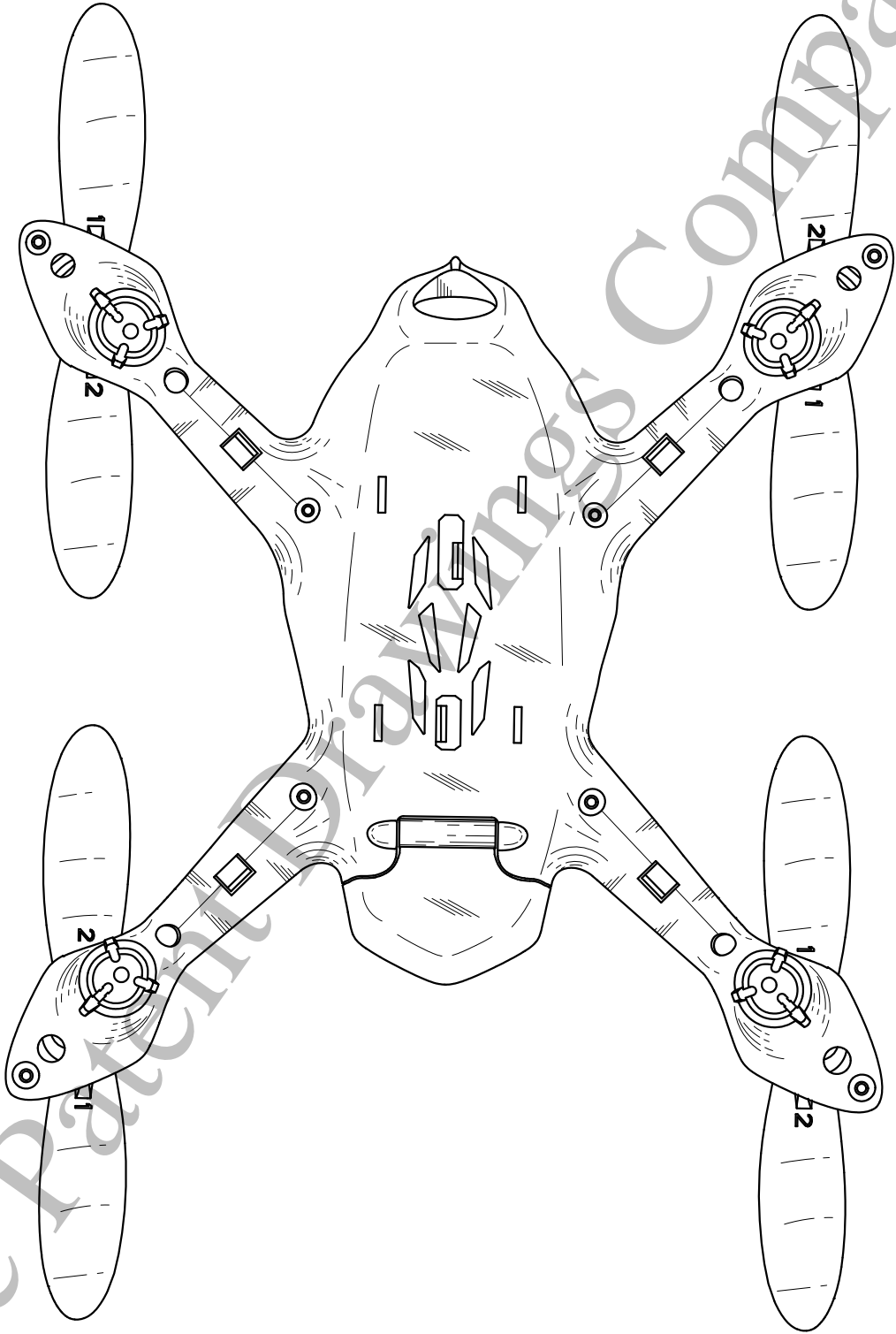


FIG. 8