

▨ Males
□ Females

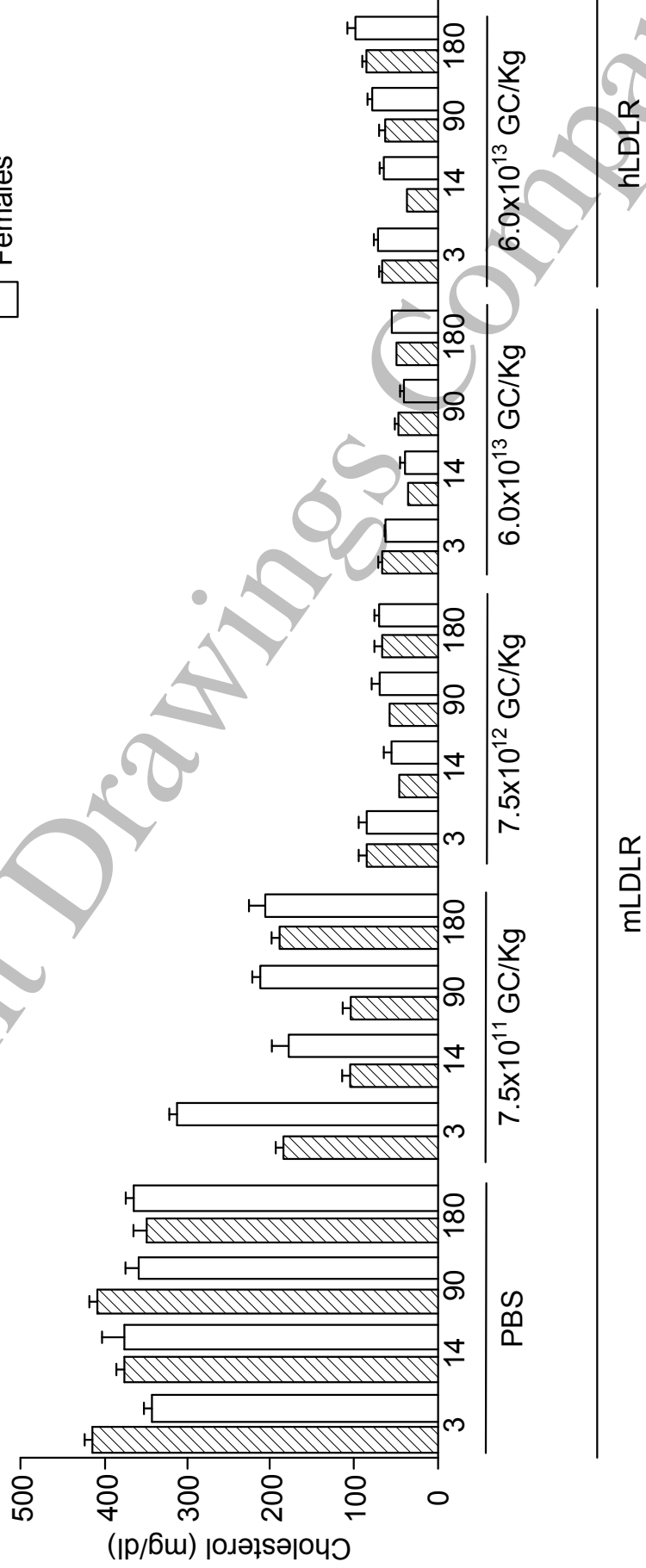


FIG. 4

□ Day 0
▨ Day 7
▩ Day 30

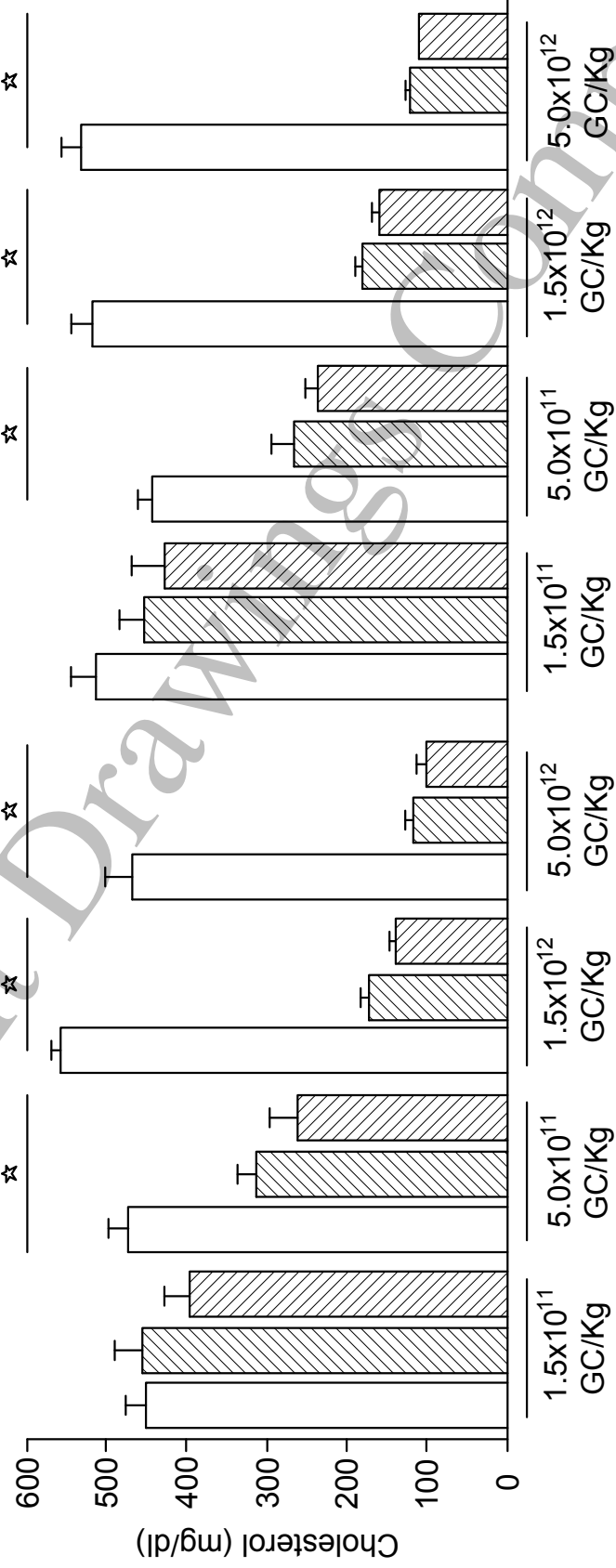


FIG. 5

6/14

○ AST
■ No Stim
▨ AAV8
▤ hLDLR

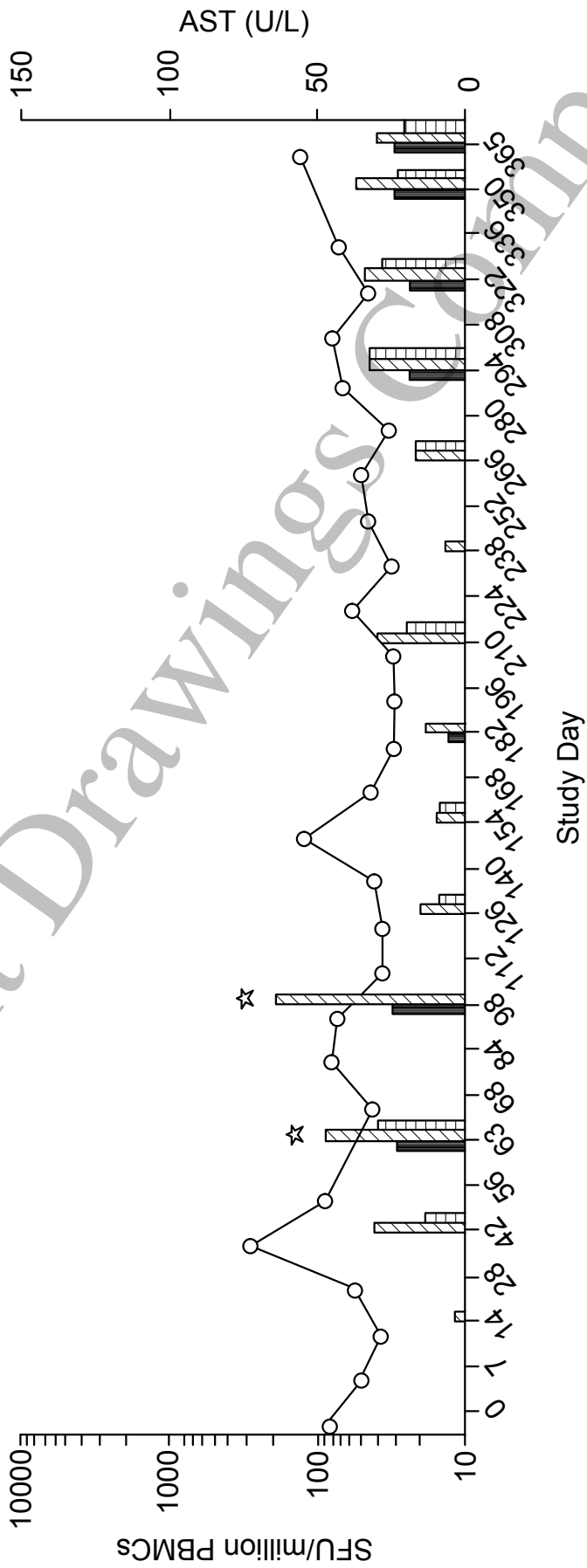


FIG. 6A

7/14

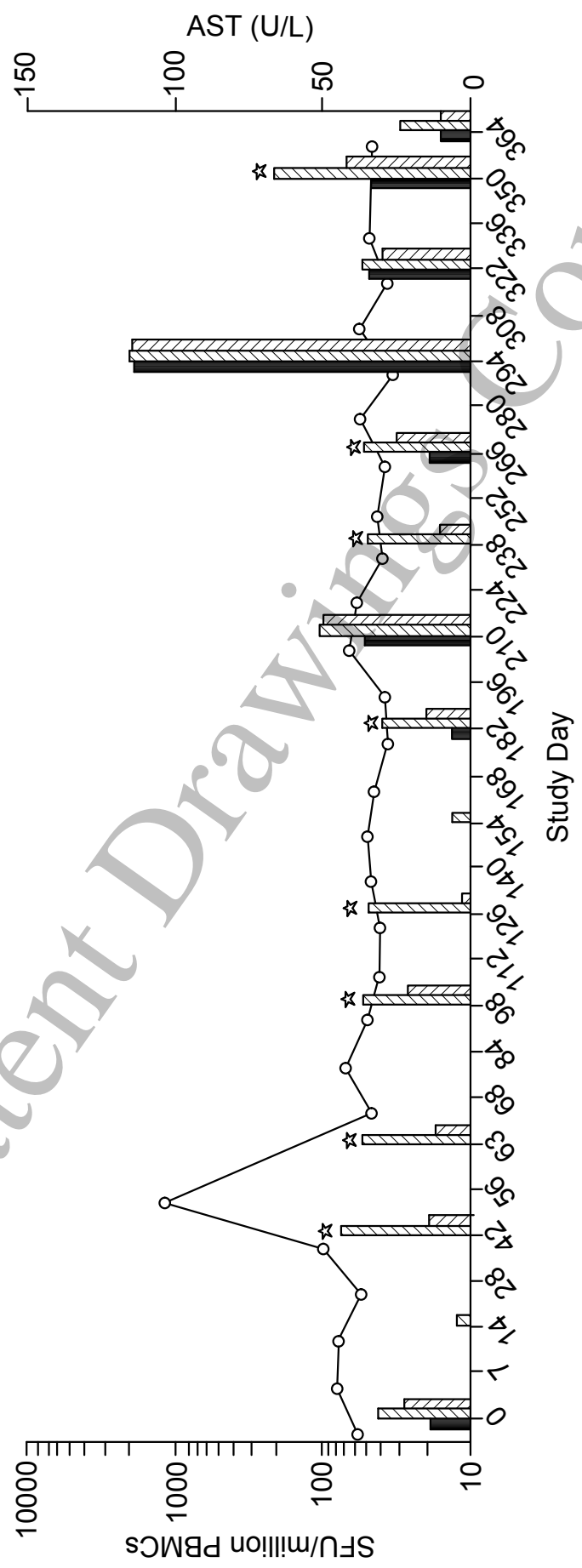


FIG.6B

The Patent Drawing Company

8/14

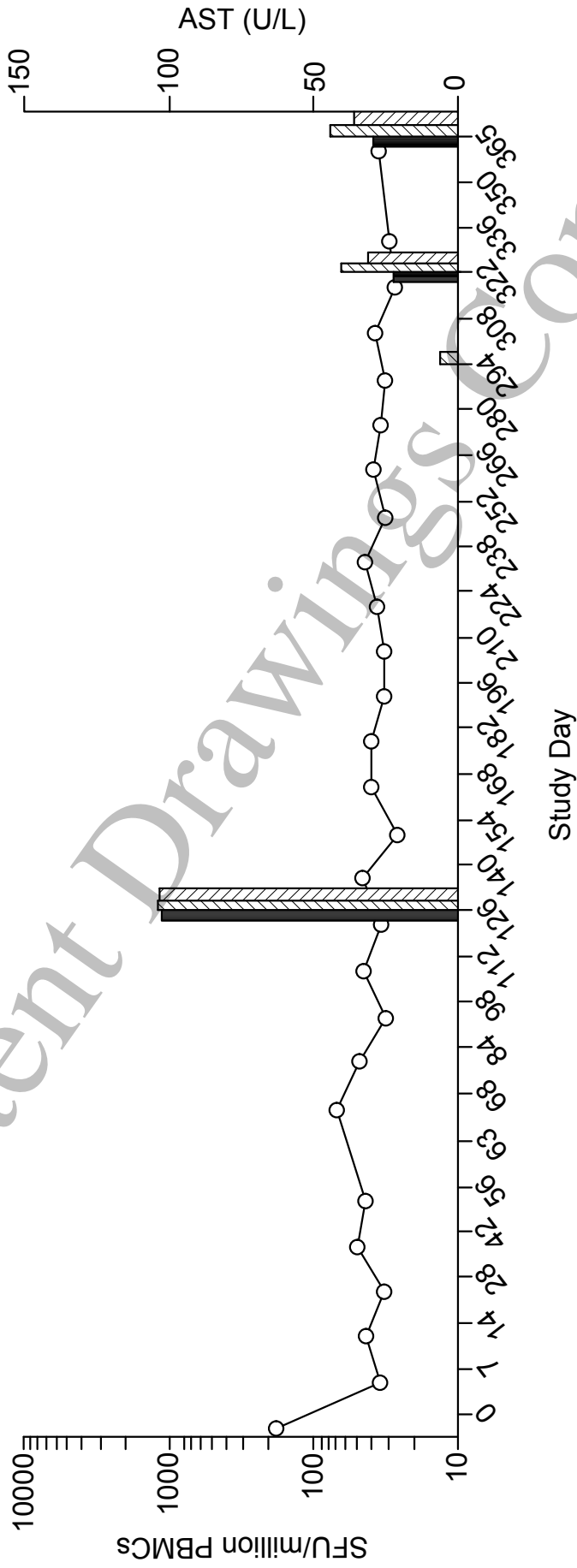


FIG. 6C

The Patent Drawings Company

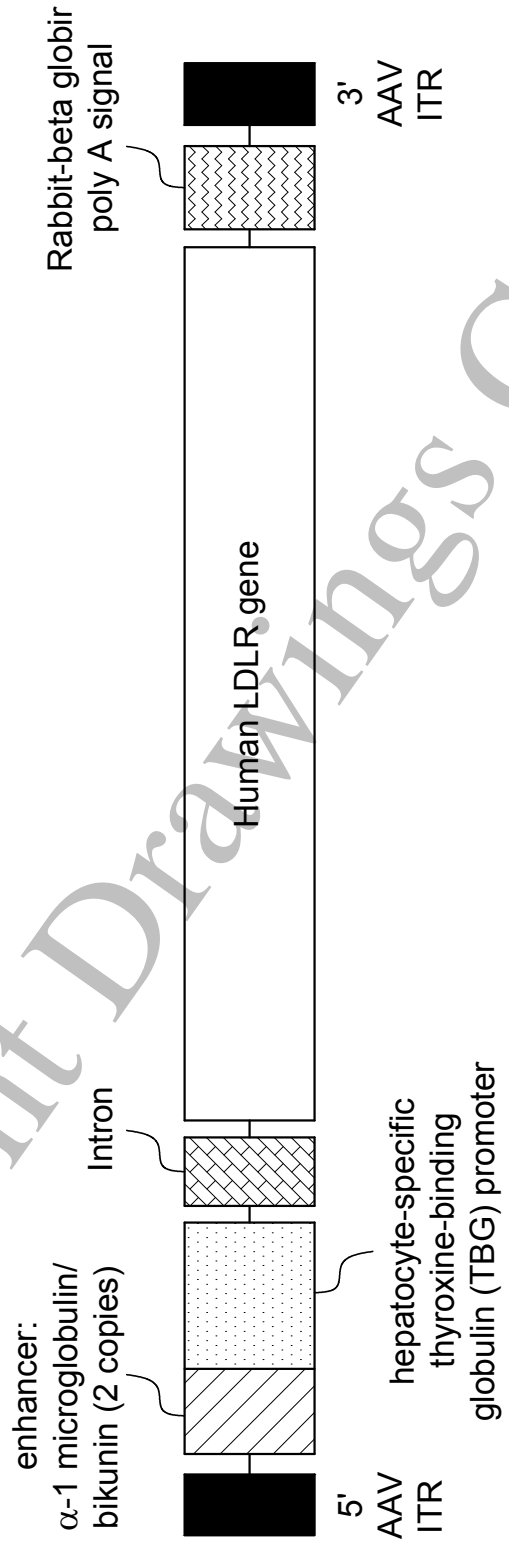


FIG. 7

The Patent Drawings Company

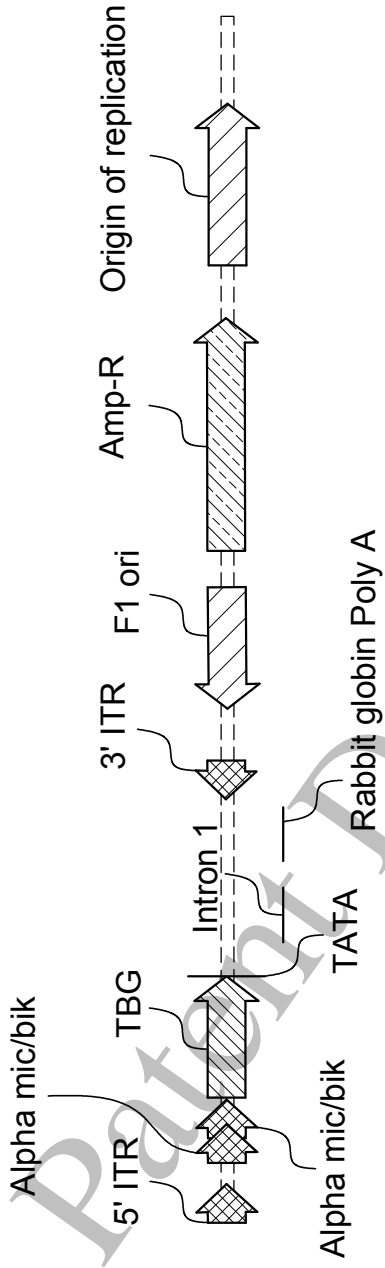


FIG. 8A

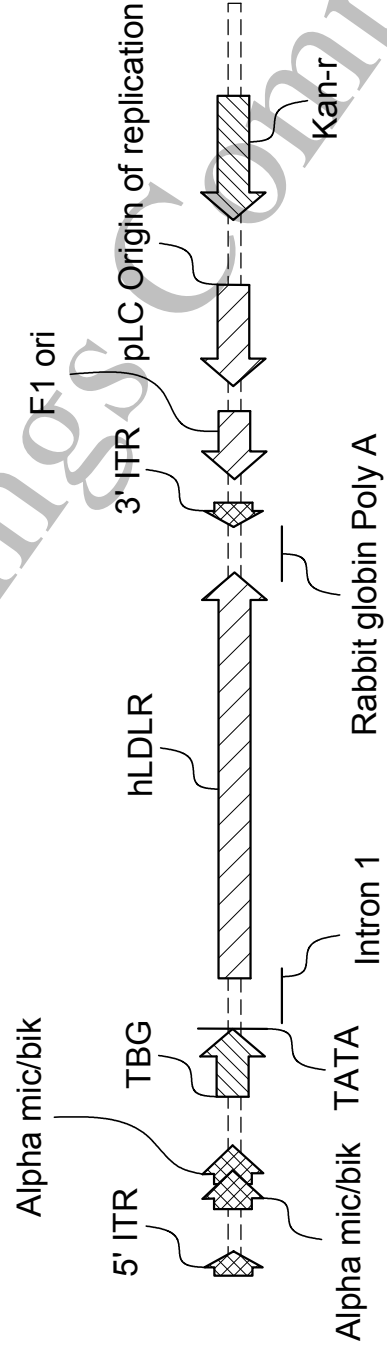


FIG. 8B

The Patent Drawing Company

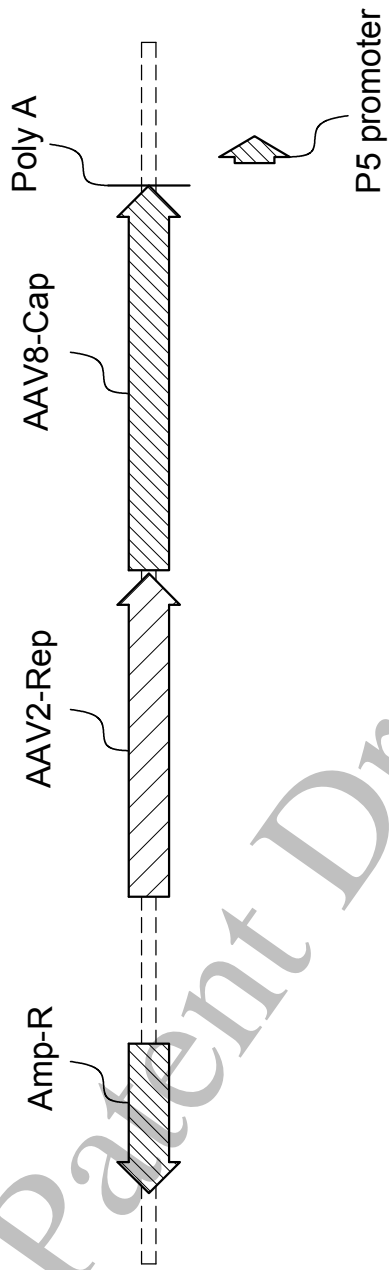


FIG. 9A

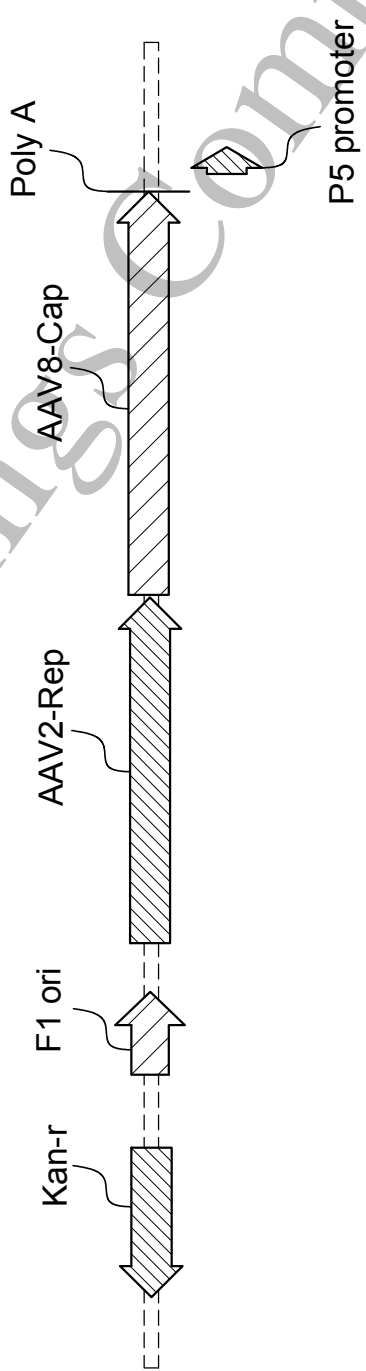


FIG. 9B

The Patent Drawing Company

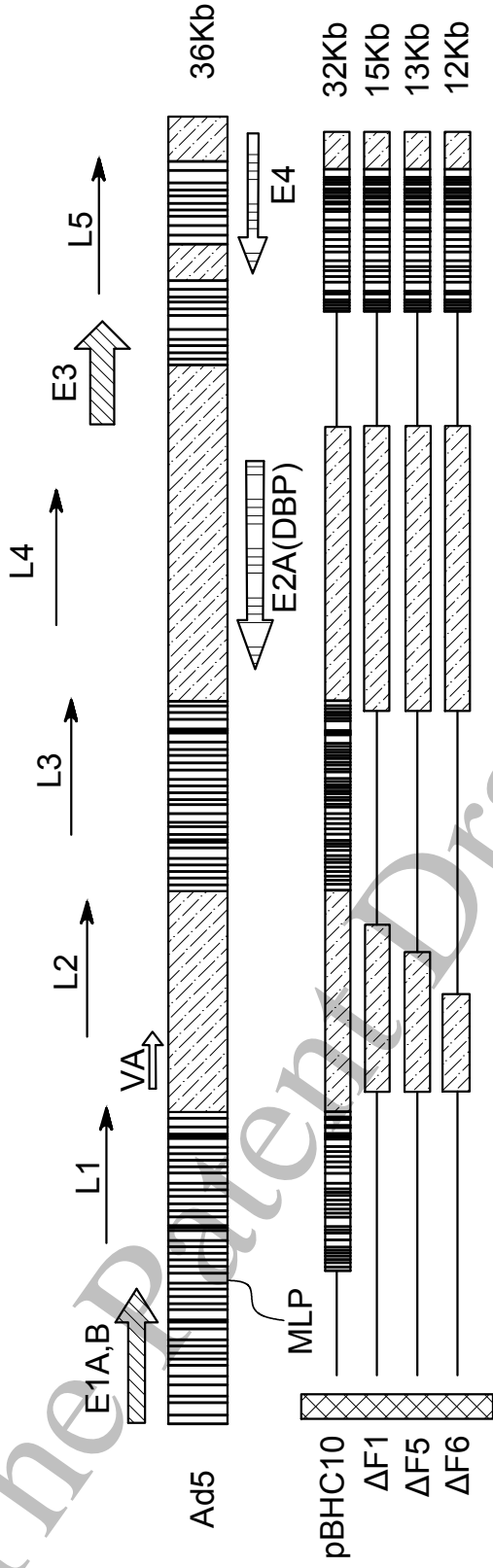


FIG. 10A

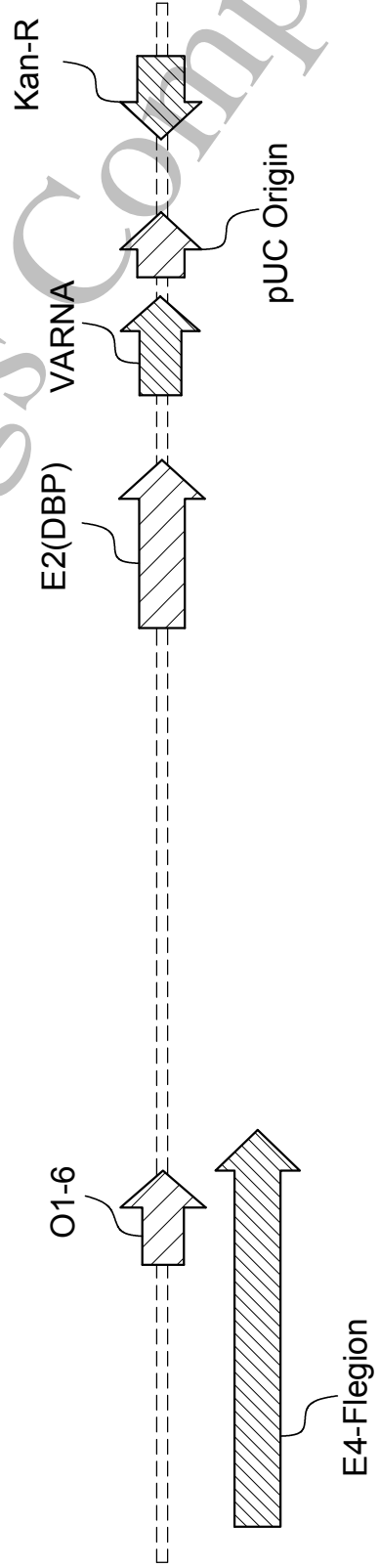


FIG. 10B