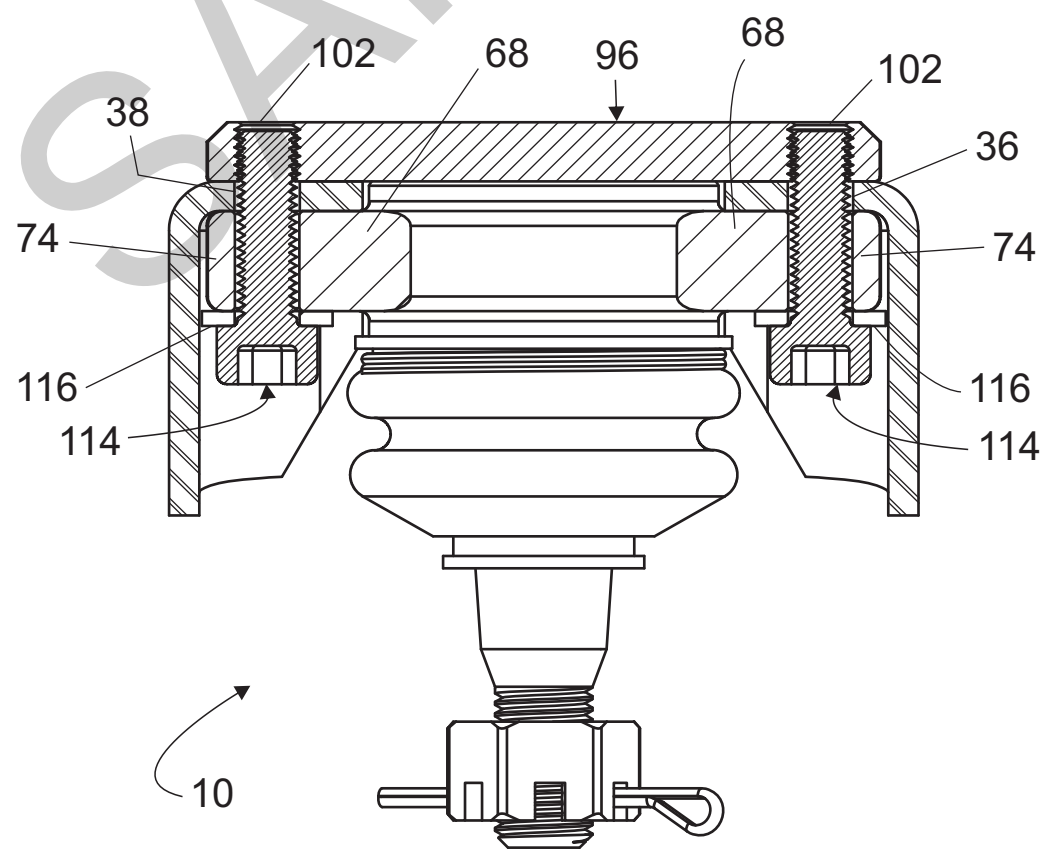
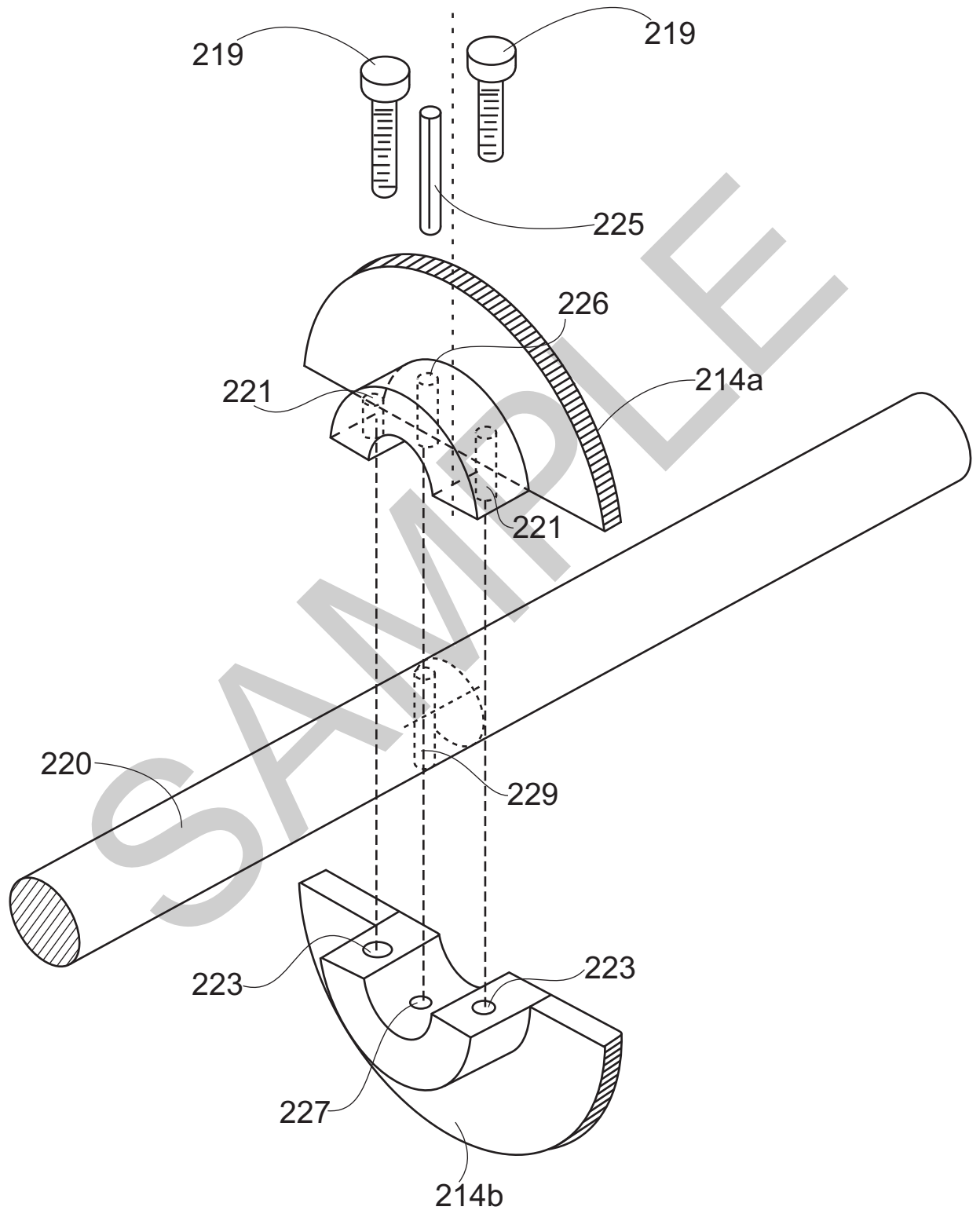
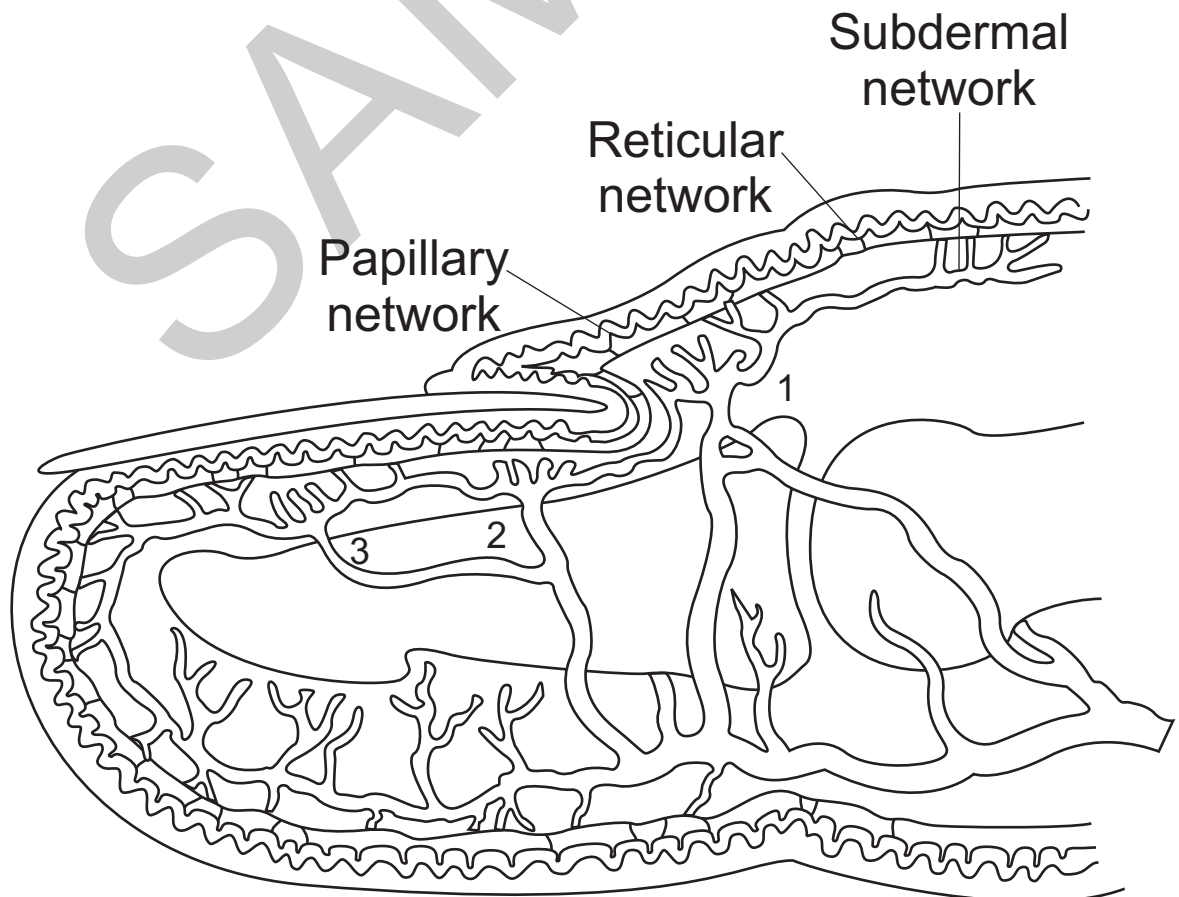
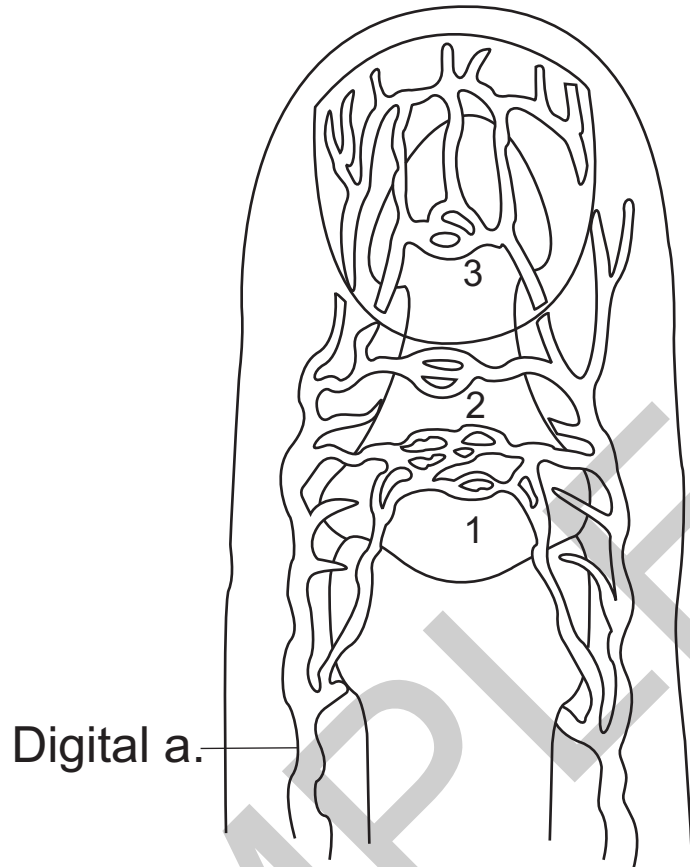
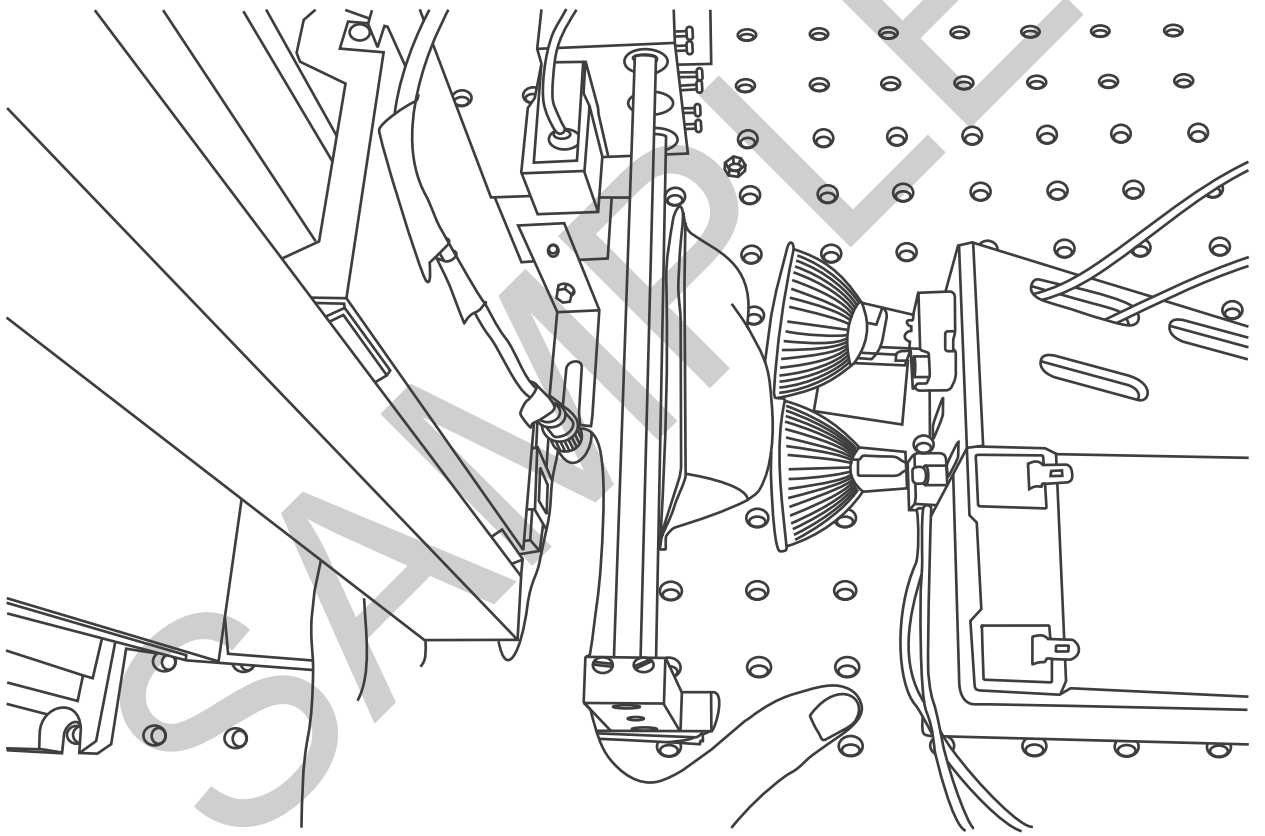


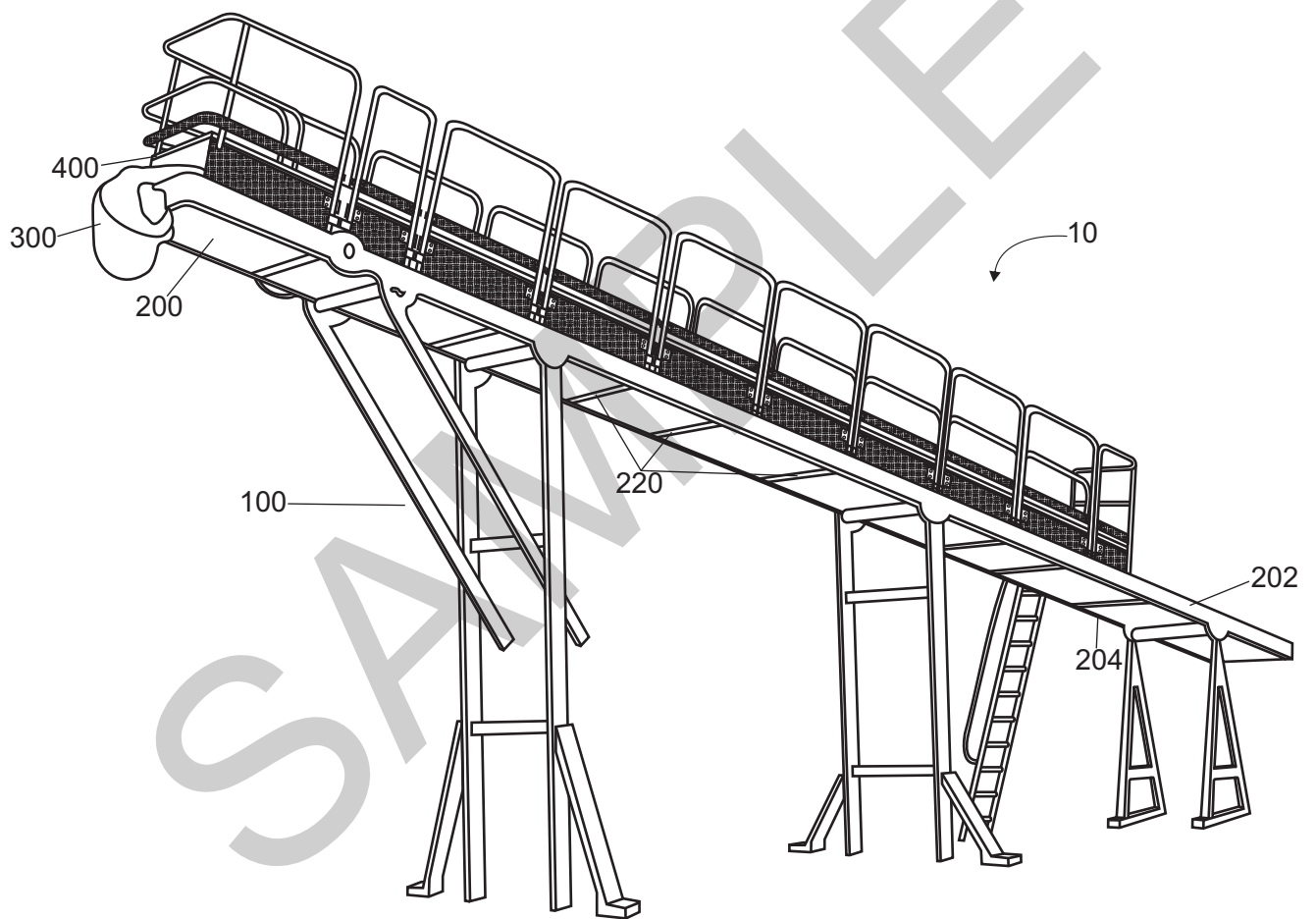
FIG. 3

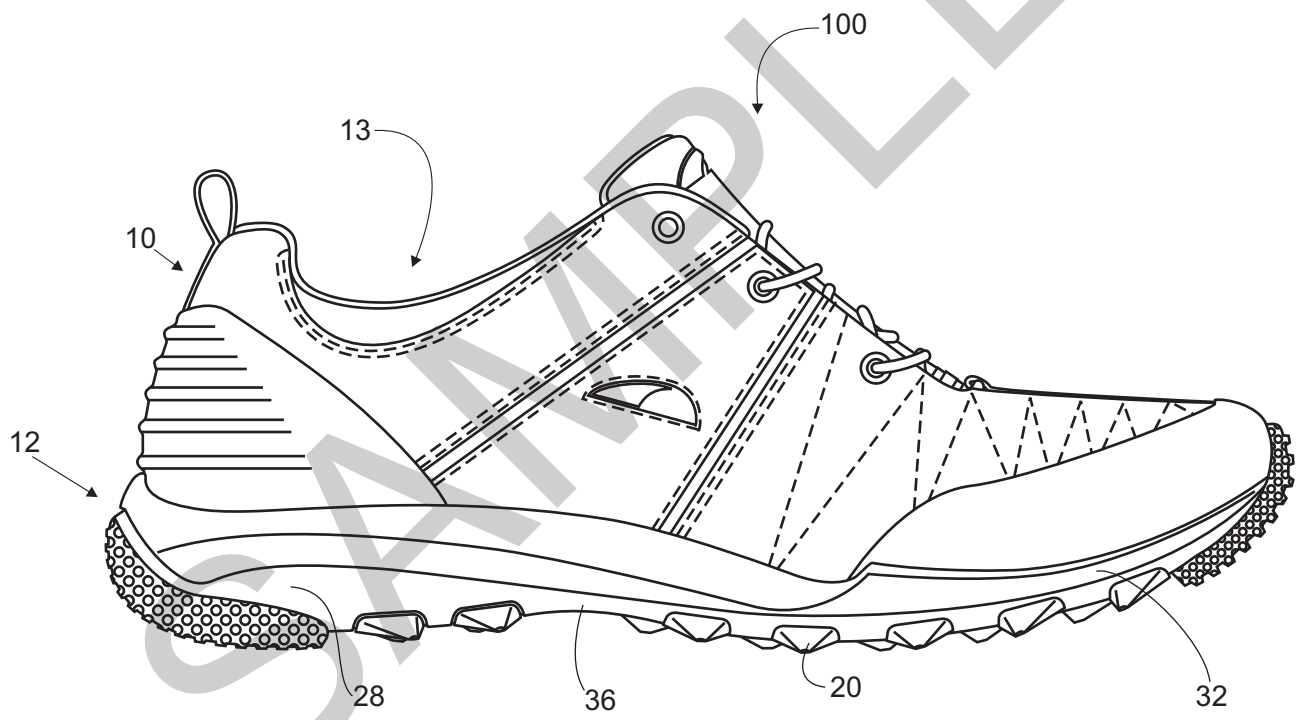


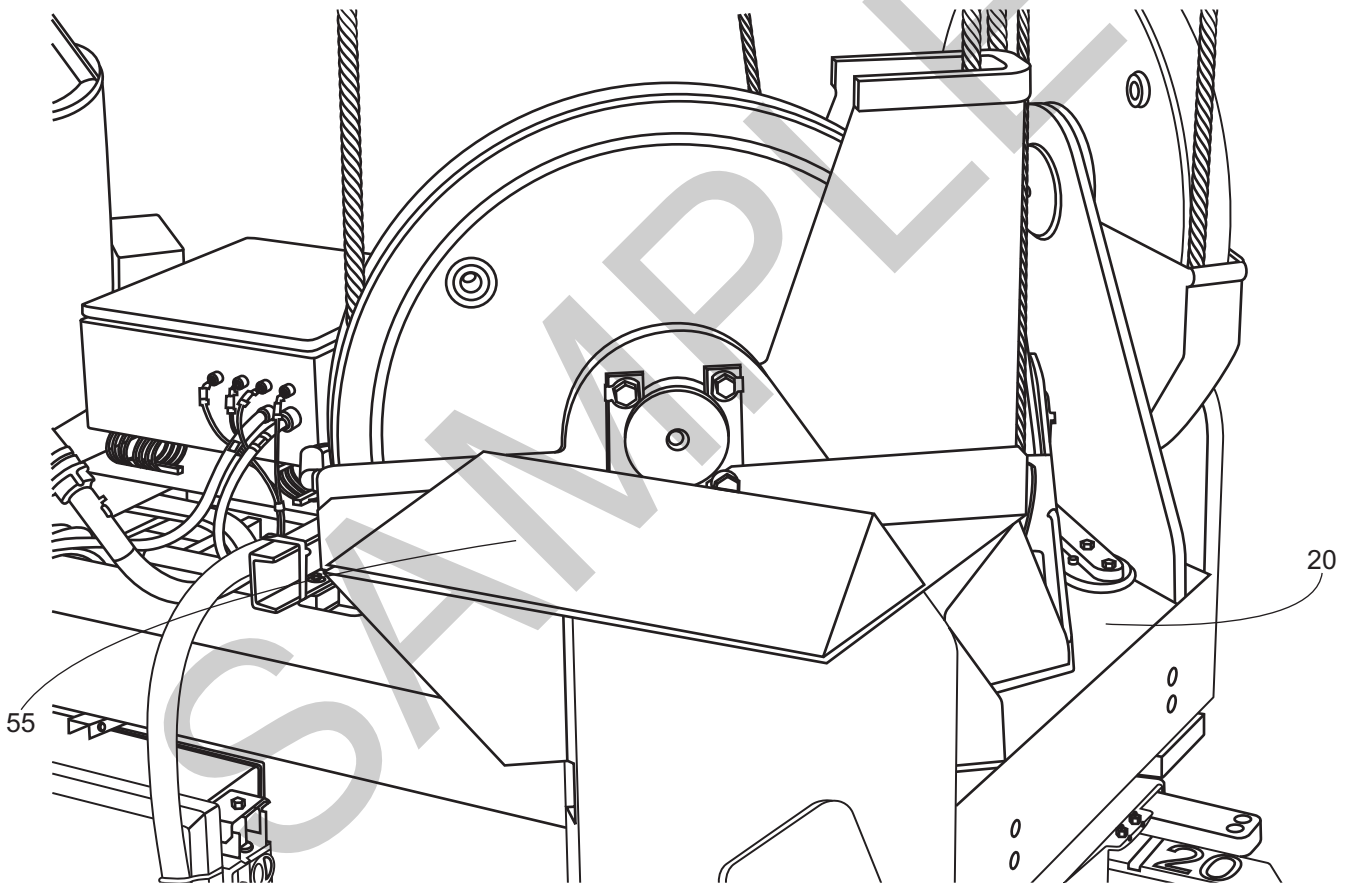


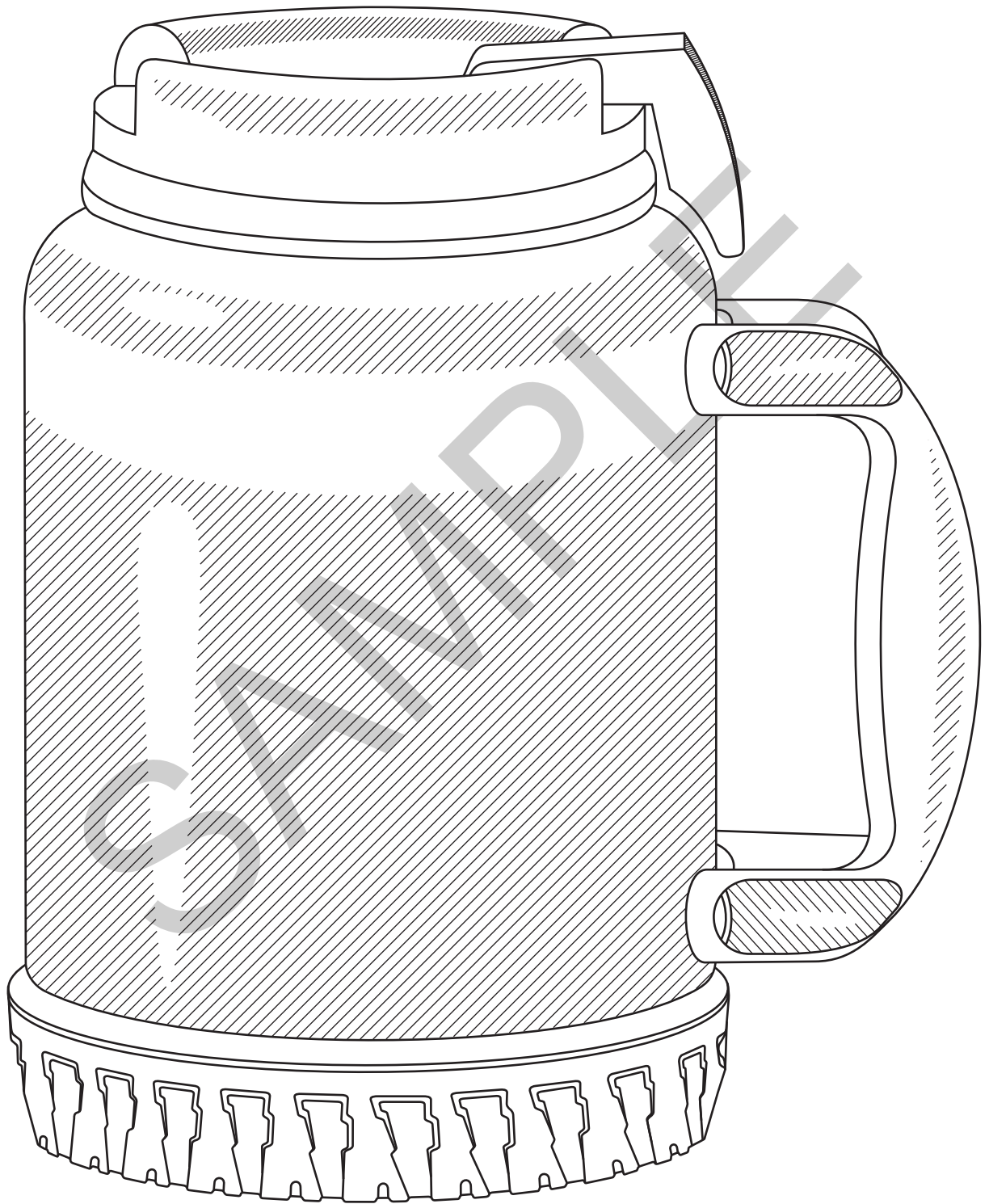


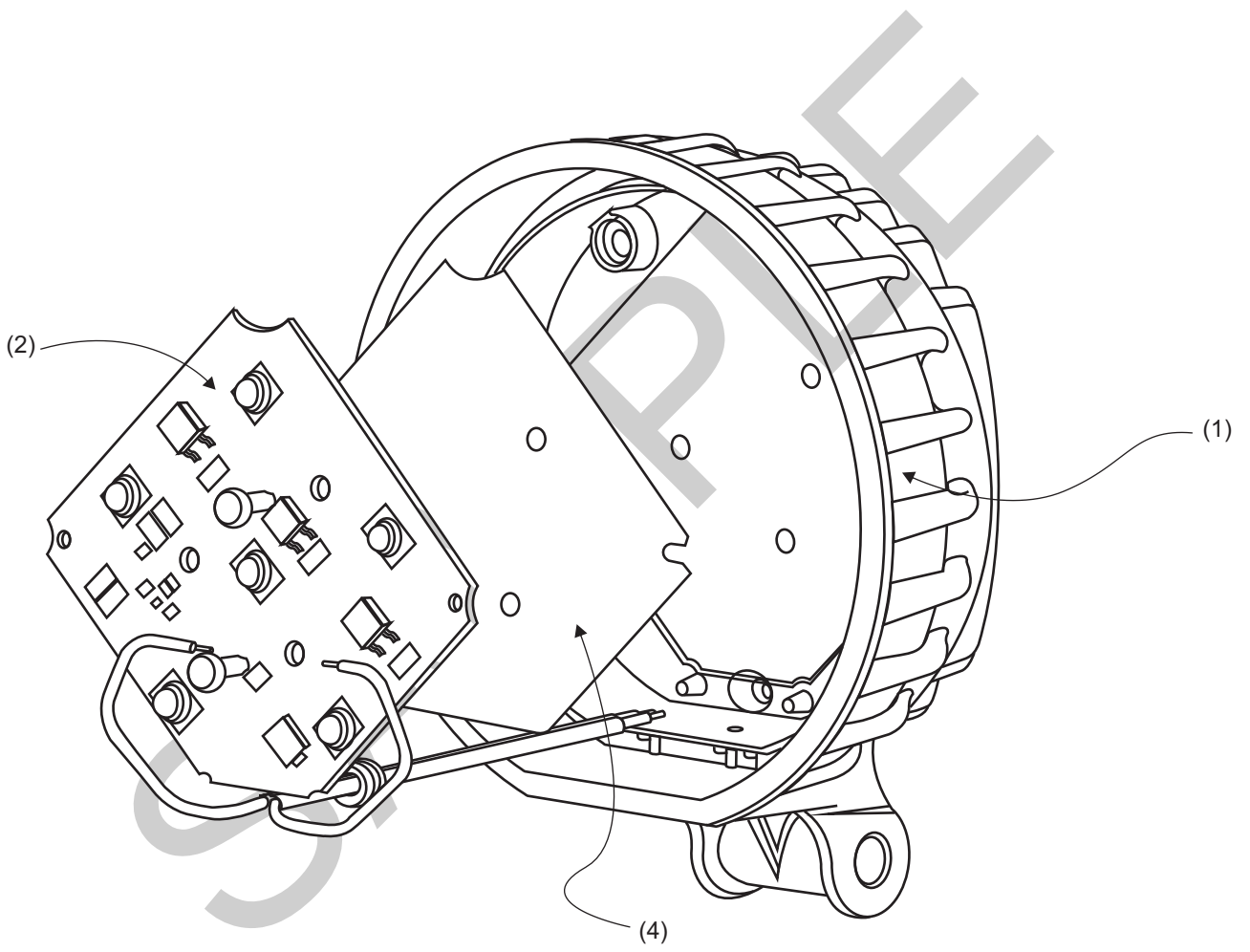


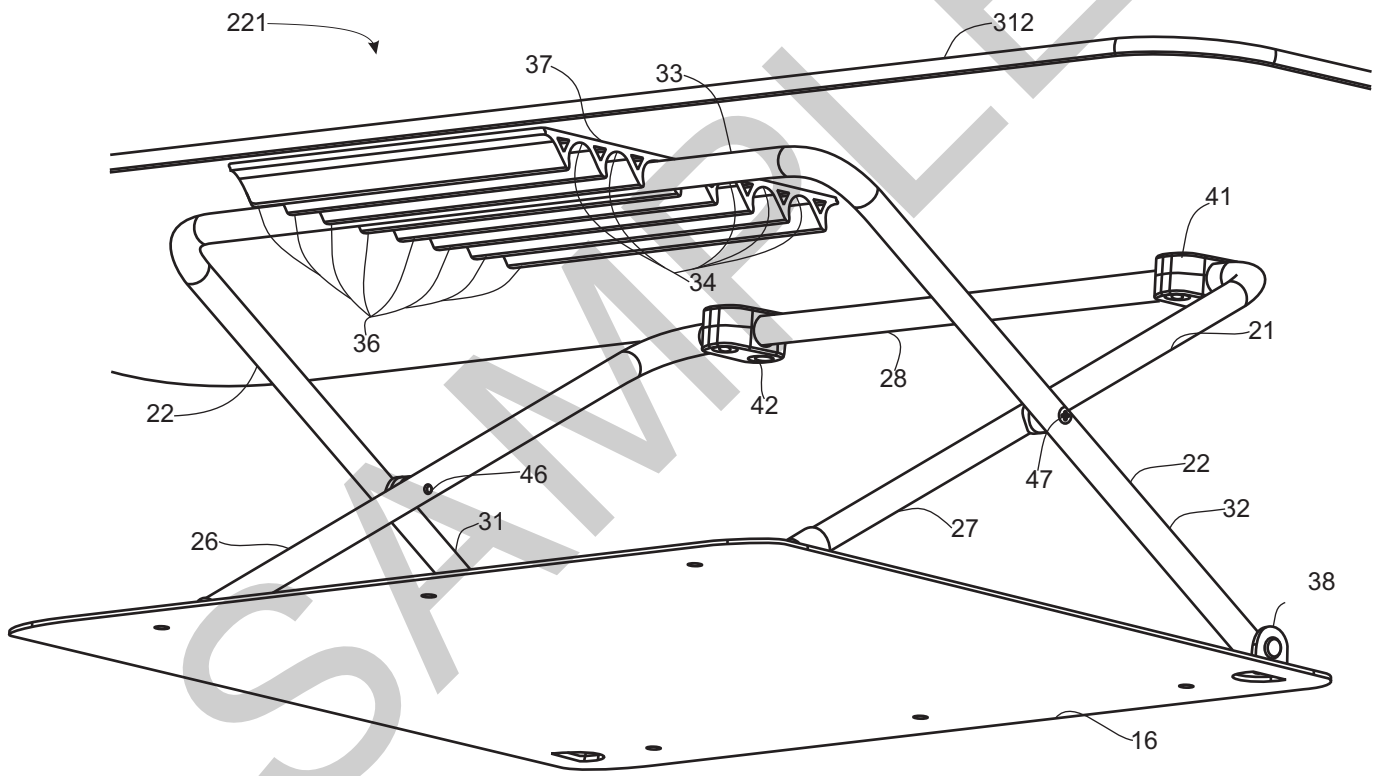


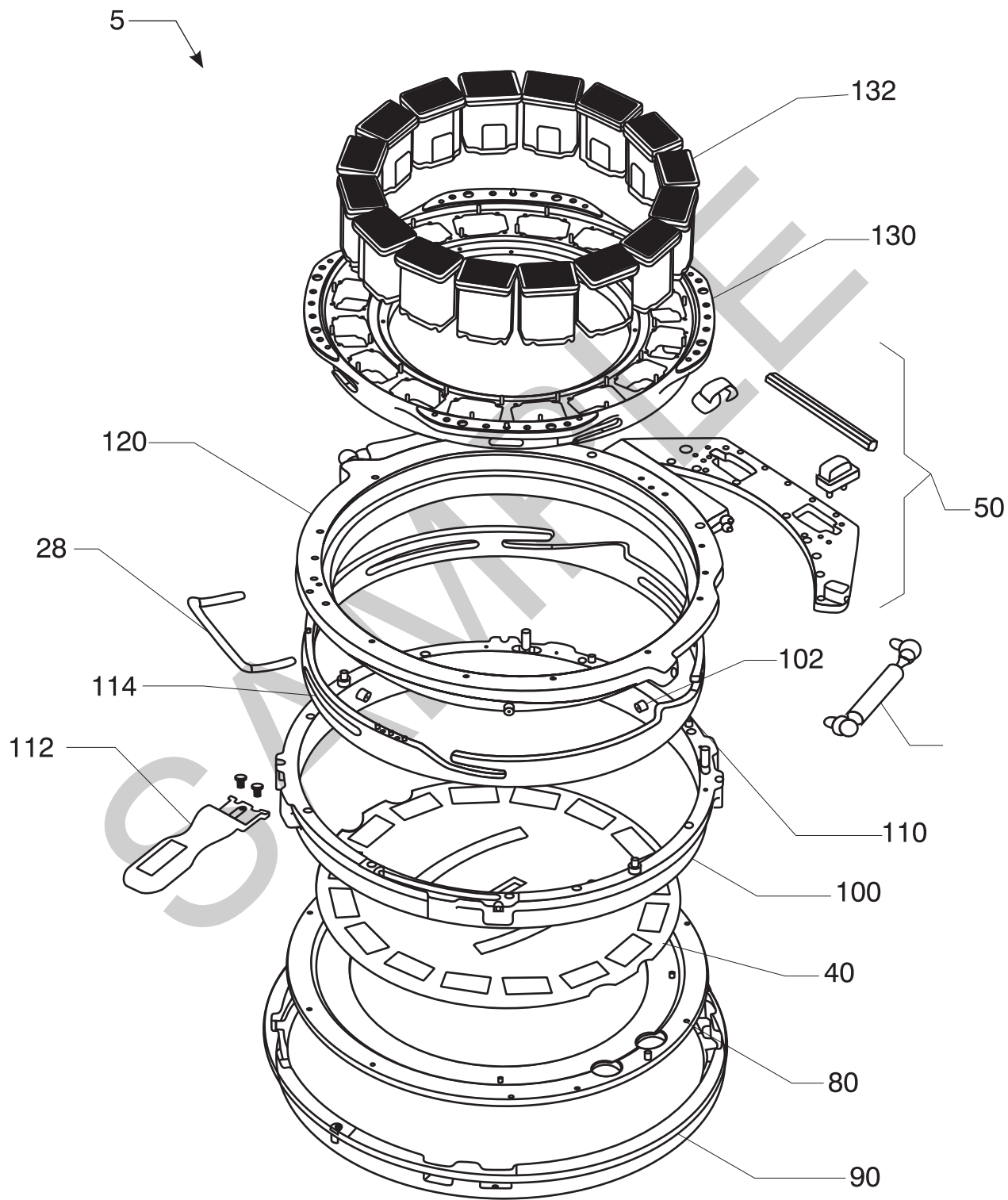


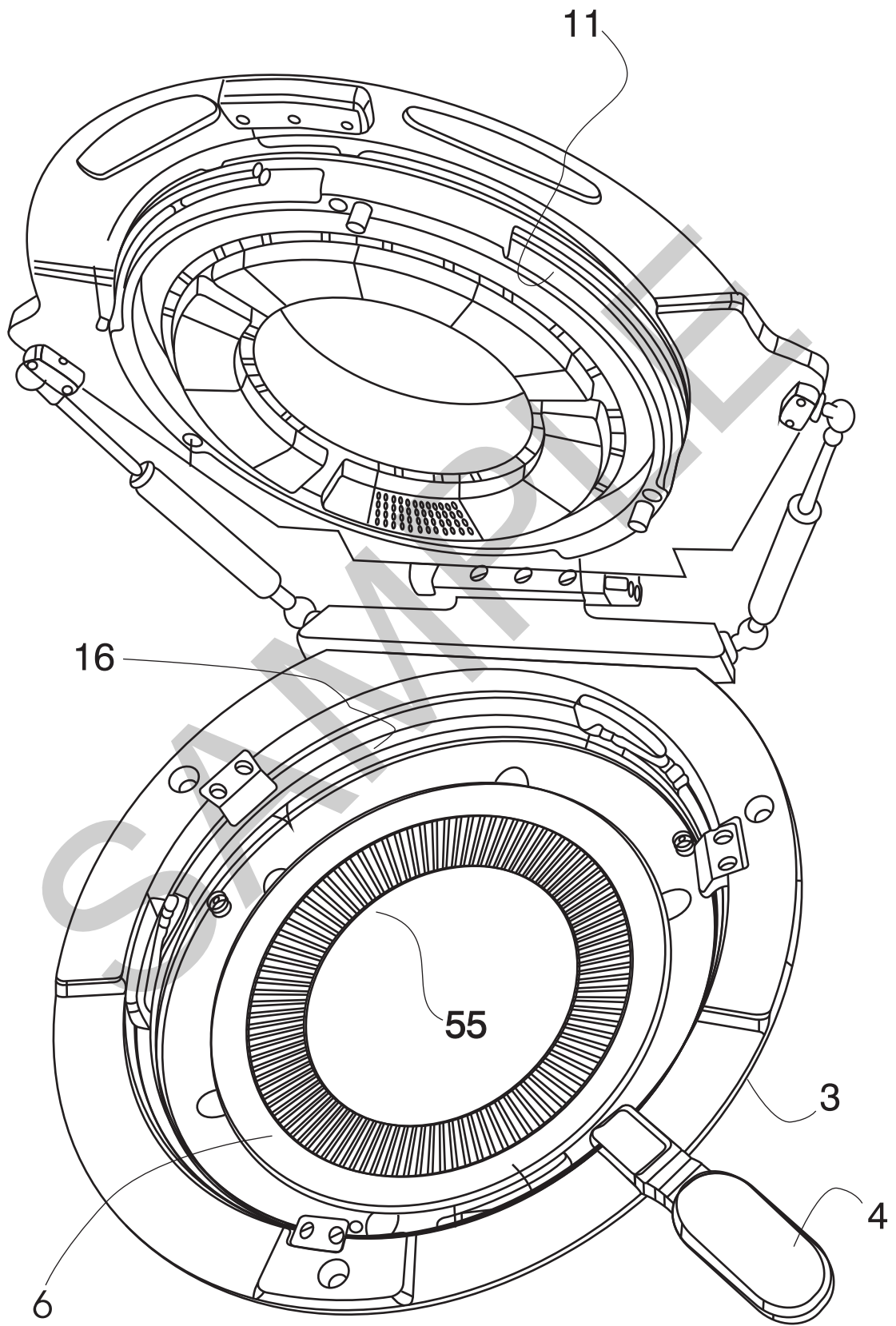


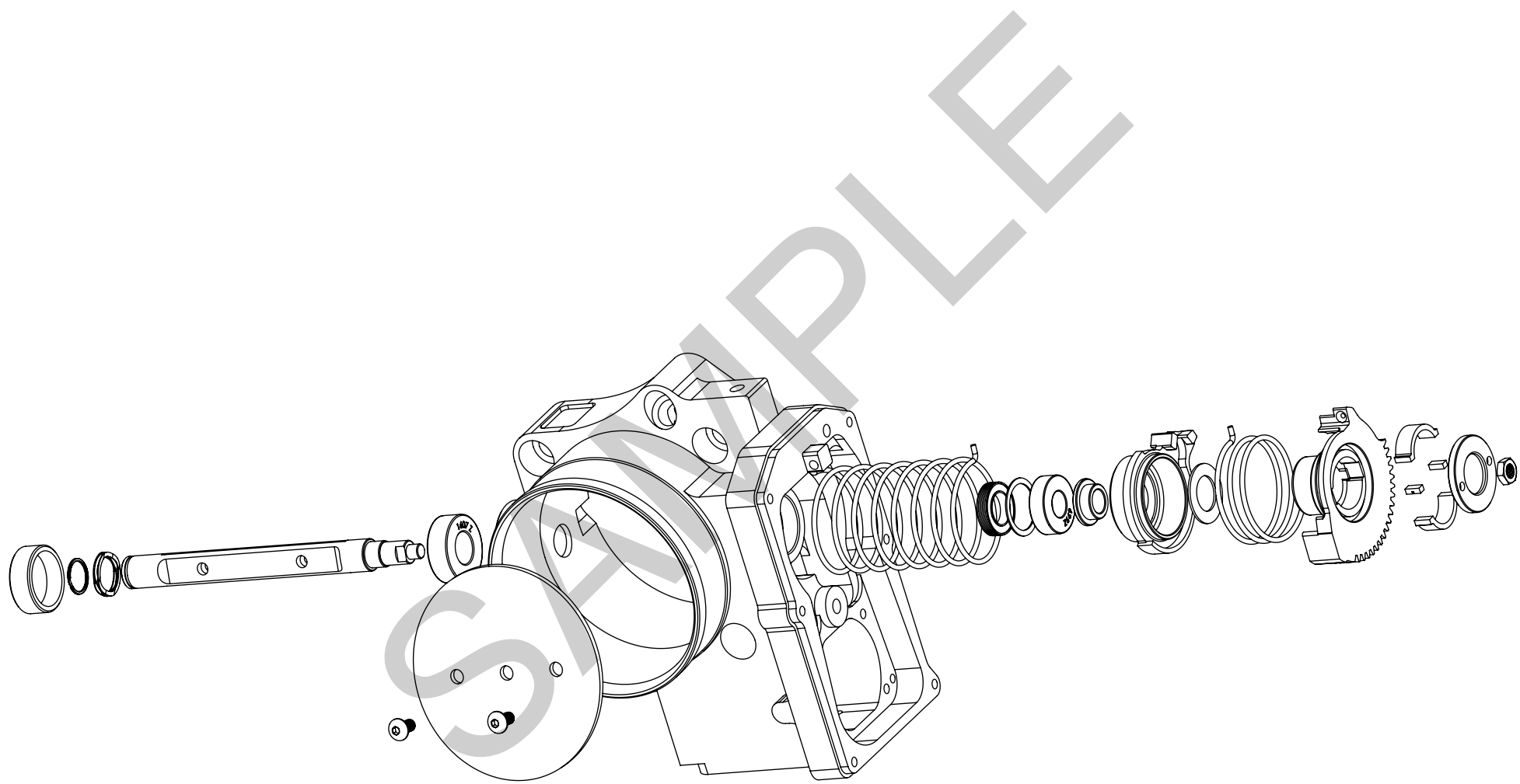


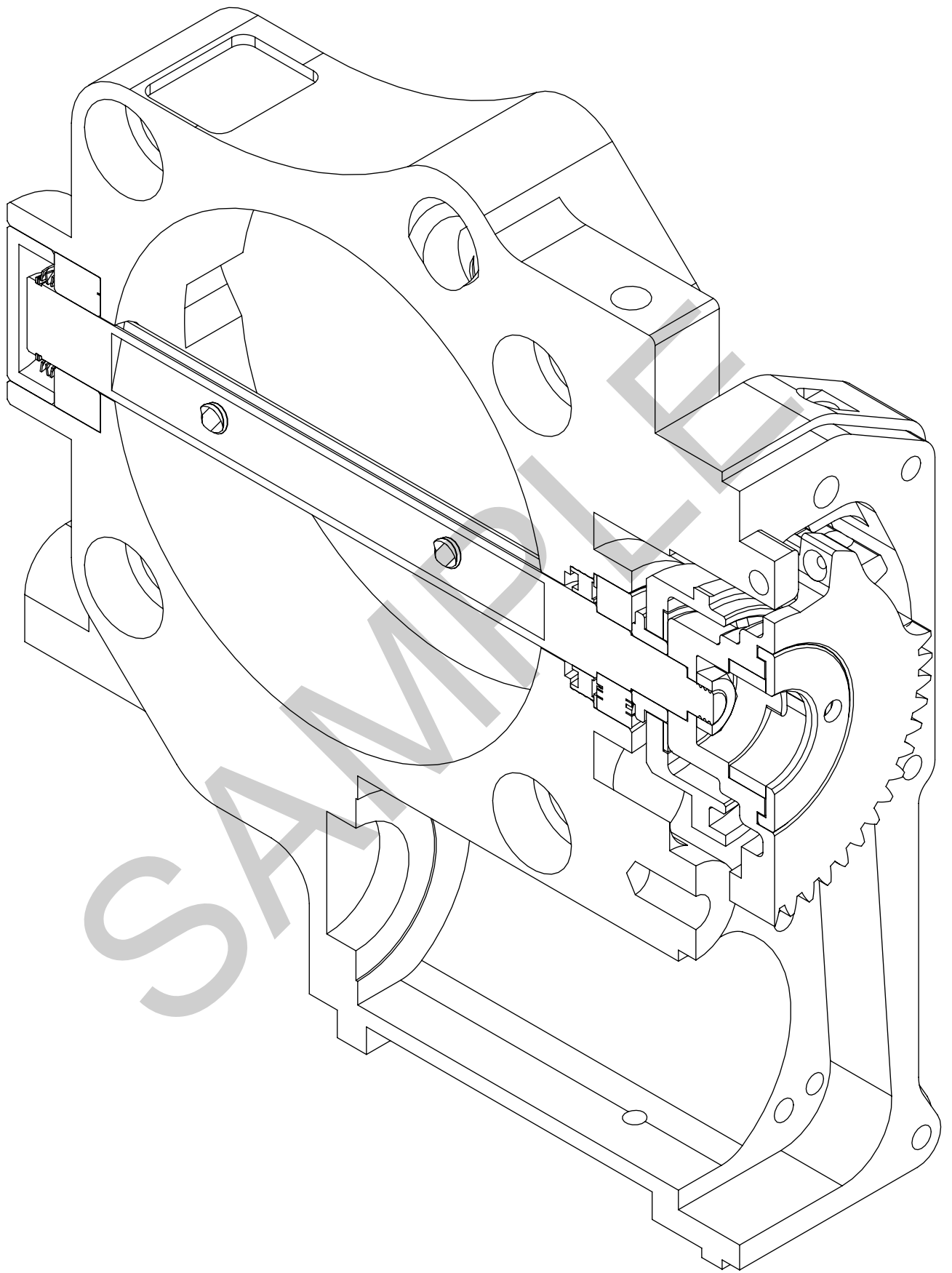


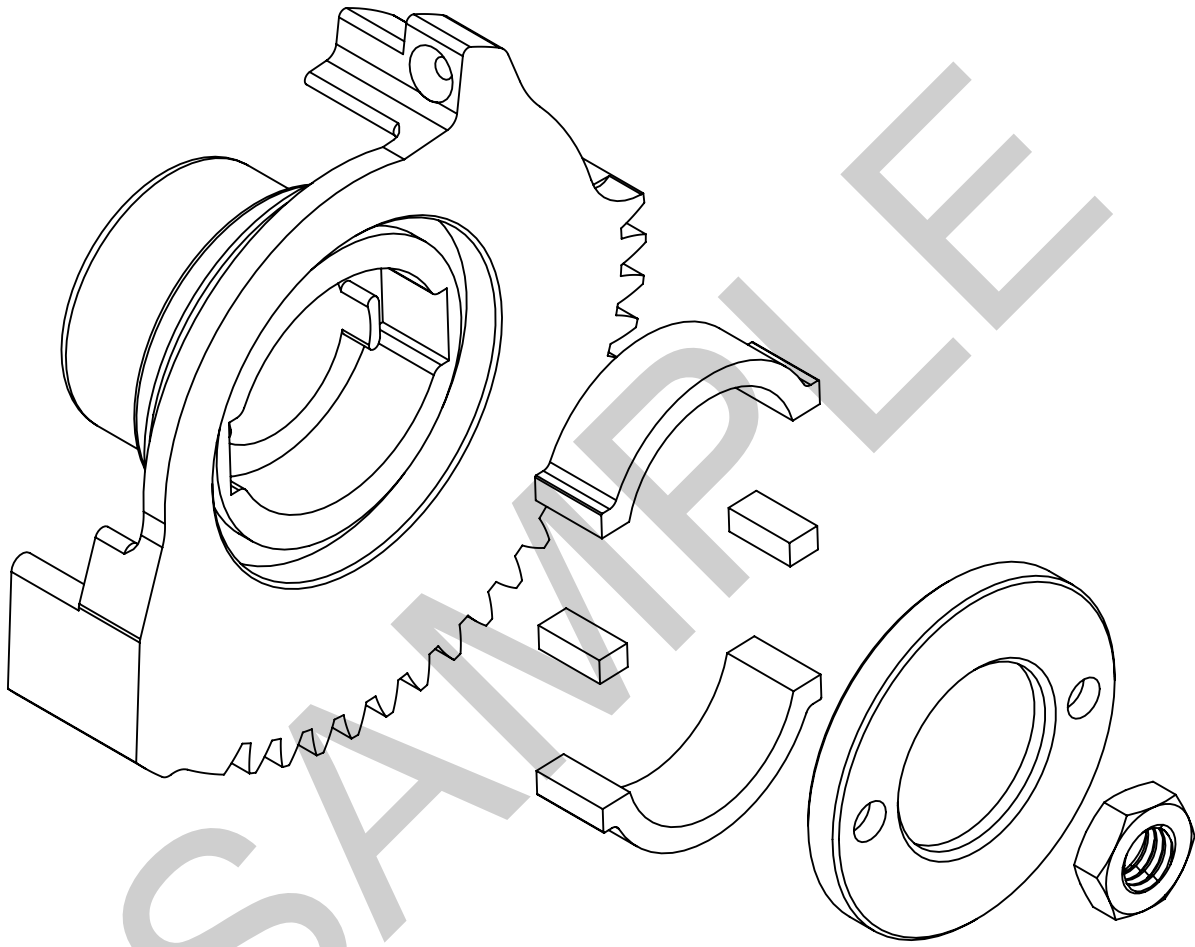












Replacement Sheet

1/15

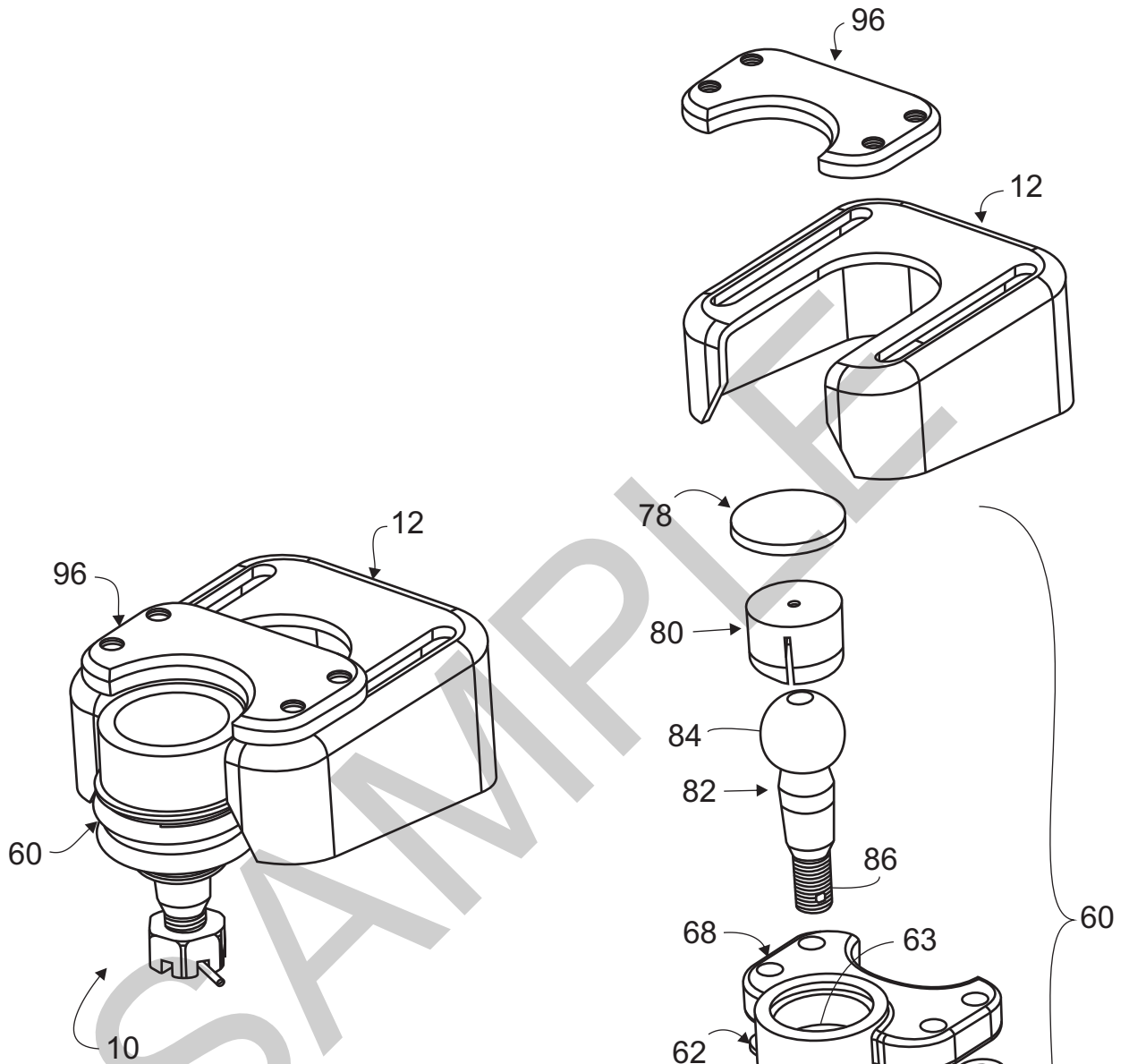


FIG. 1

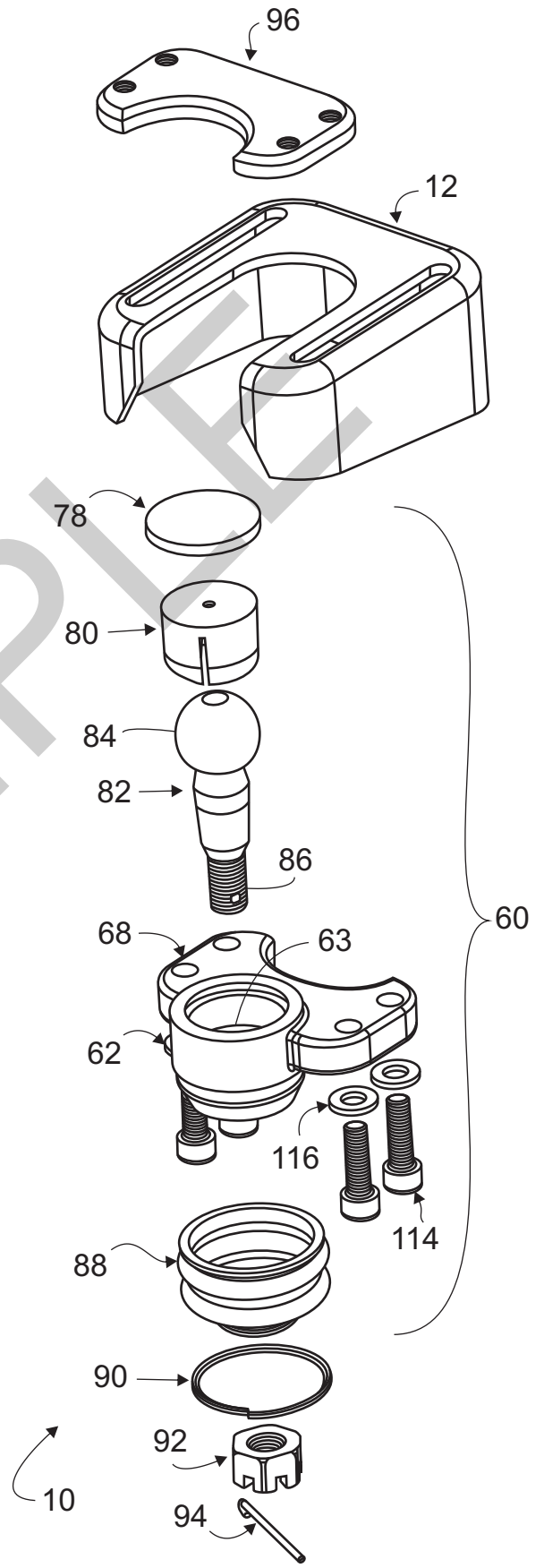


FIG. 2

Replacement Sheet

3/15

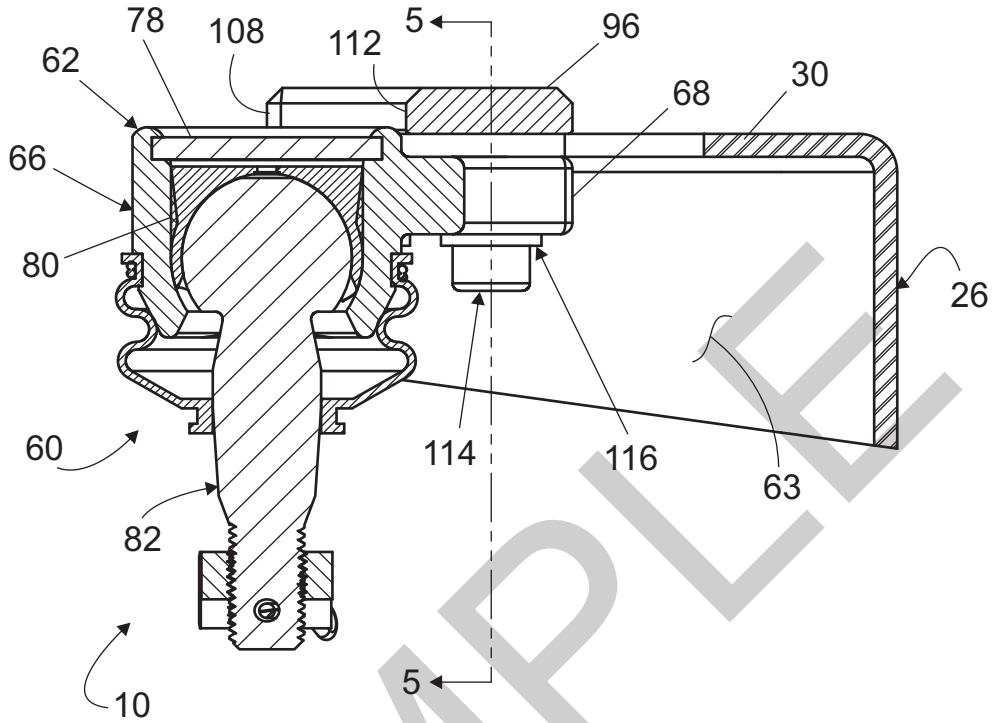


FIG. 4A

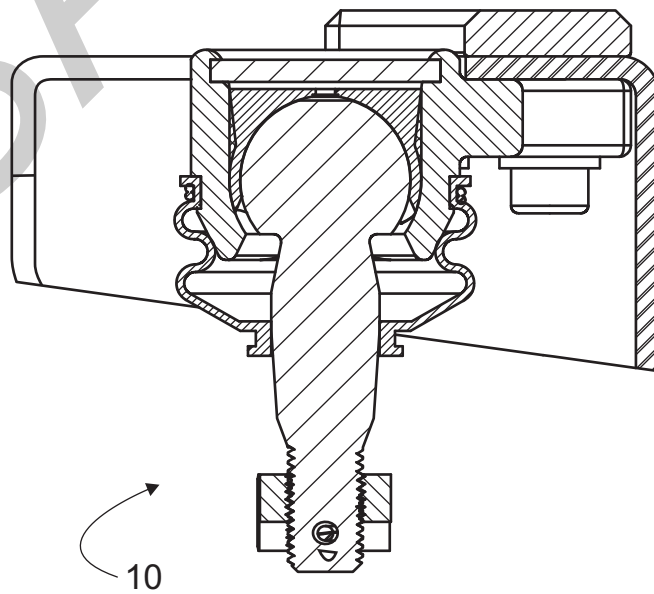


FIG. 4B