

FIG. 1

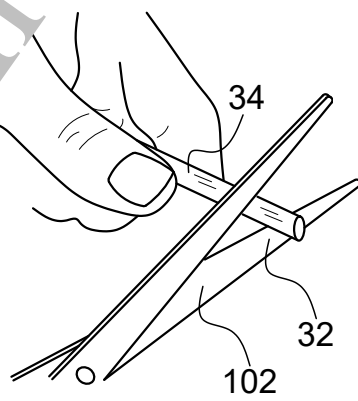
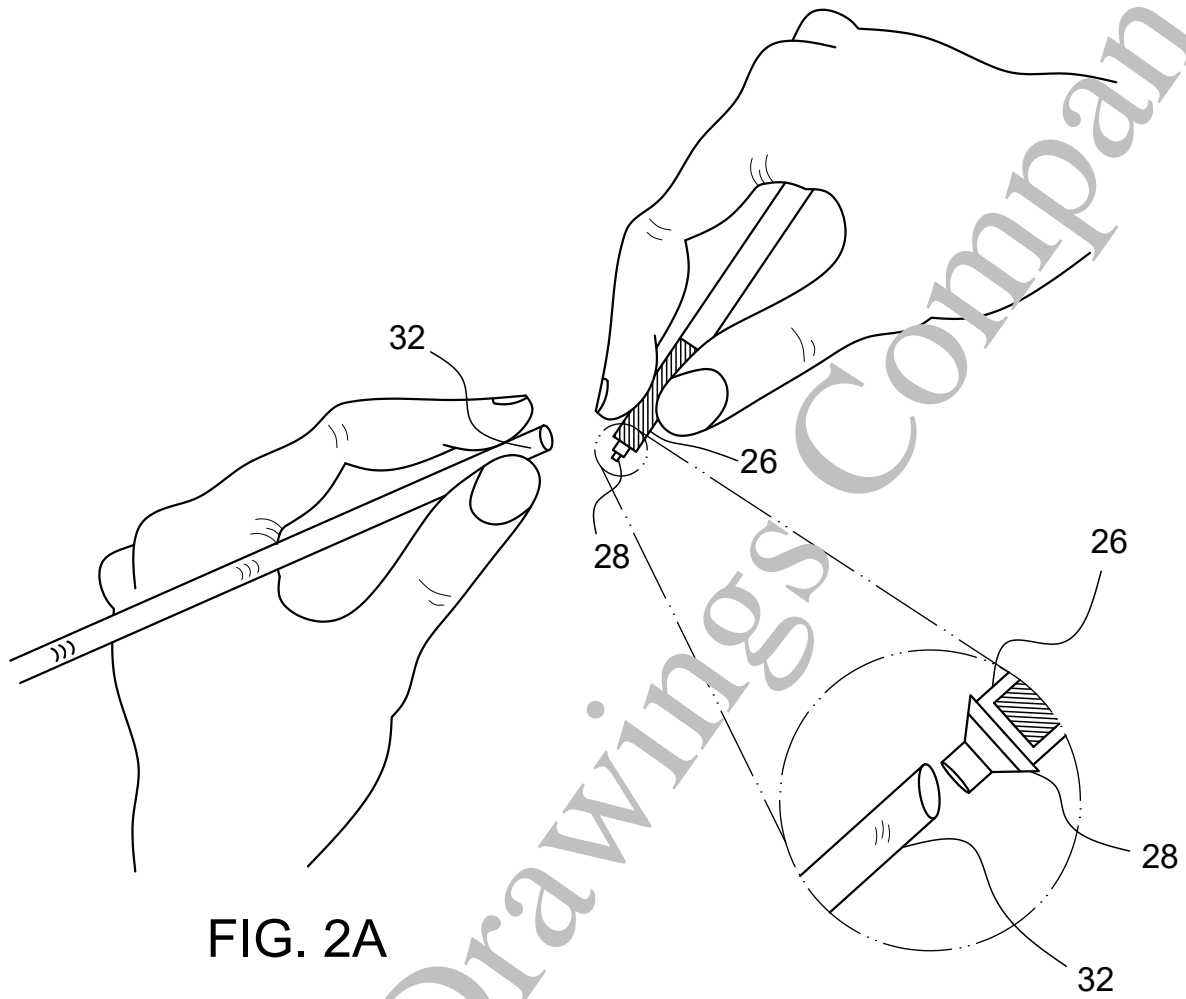


FIG. 2C

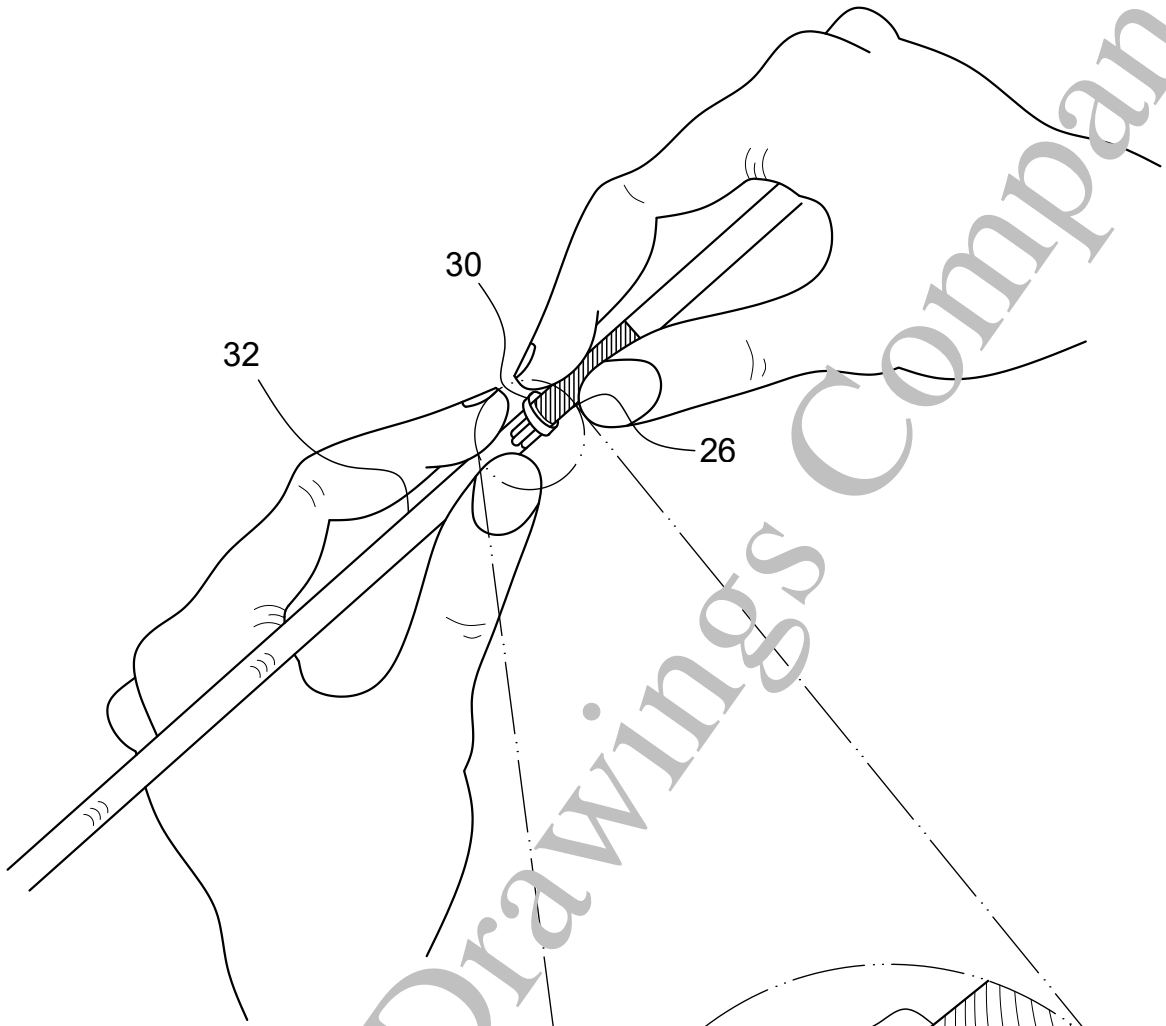


FIG.3A

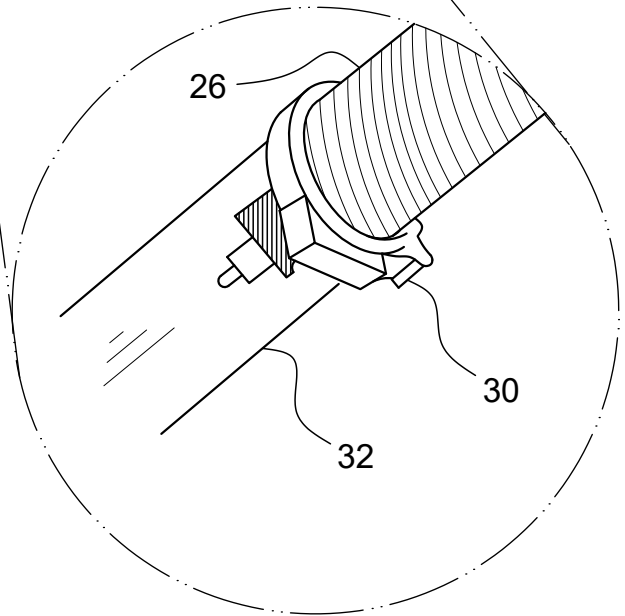


FIG.3B

The Patent Drawings Company

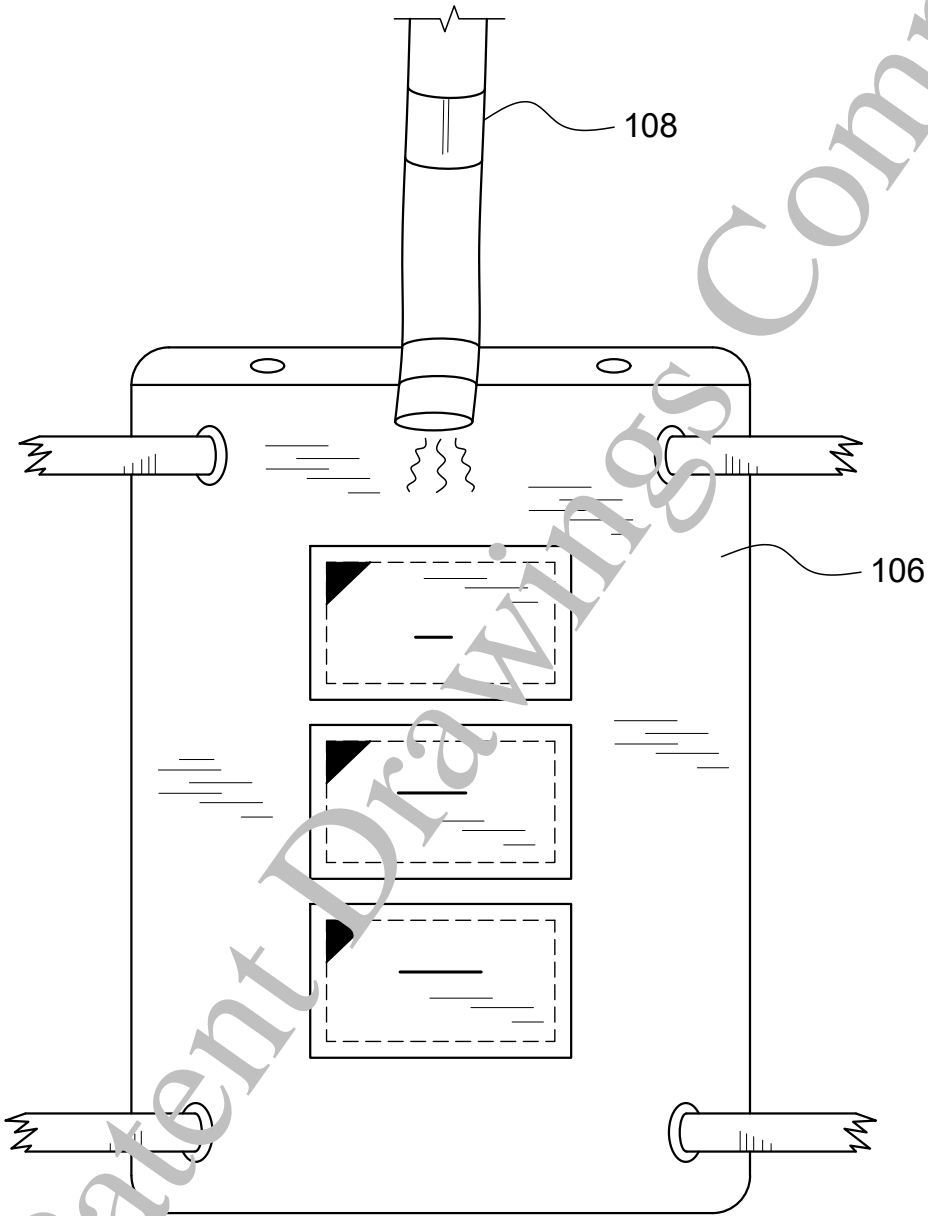


FIG. 4

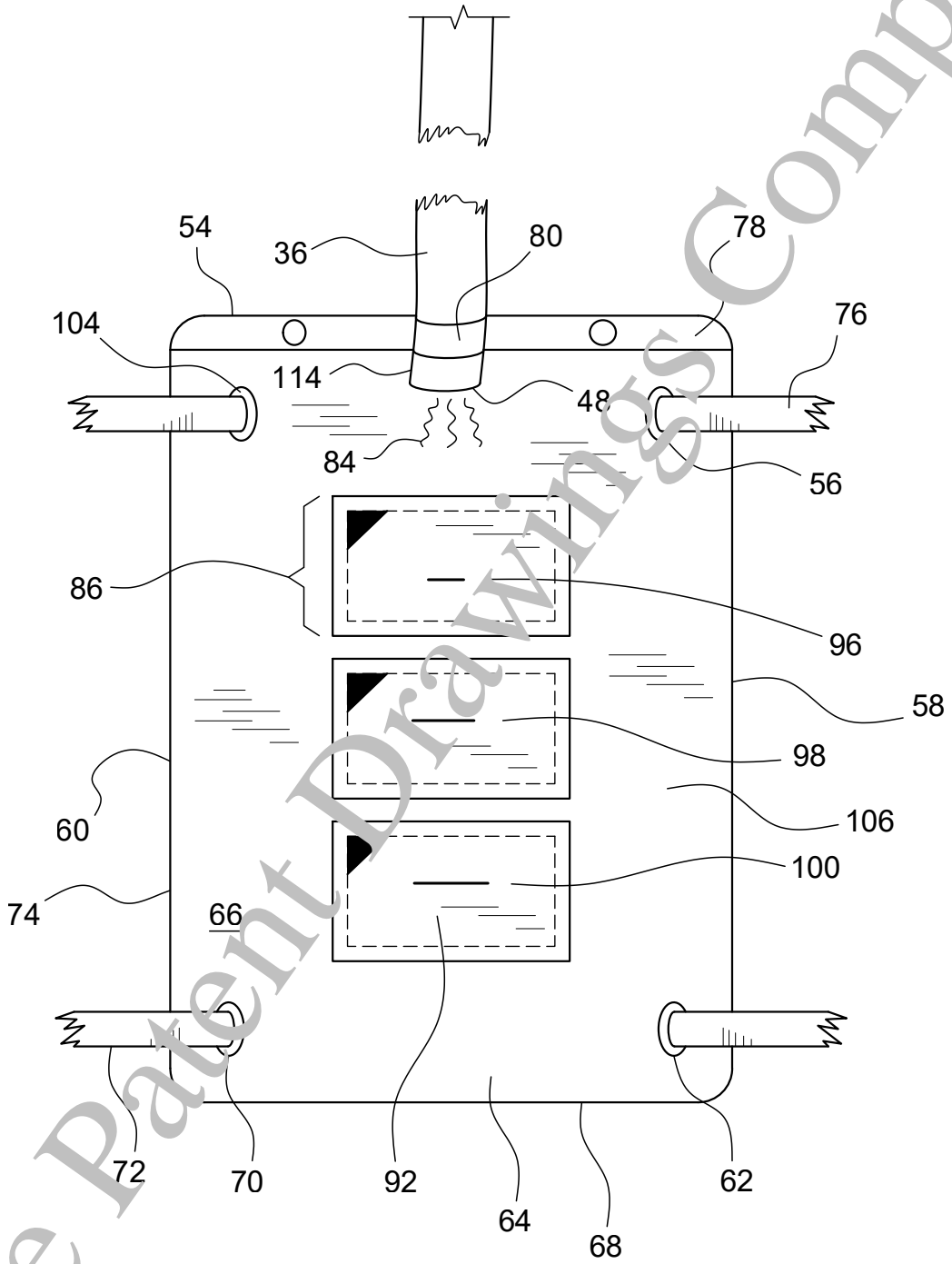


FIG. 5

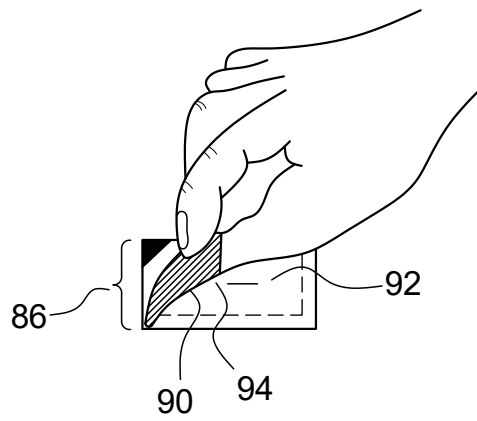


FIG. 6A

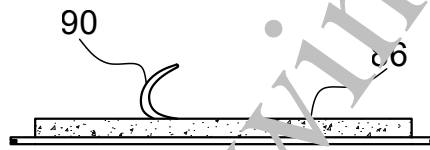


FIG. 6B

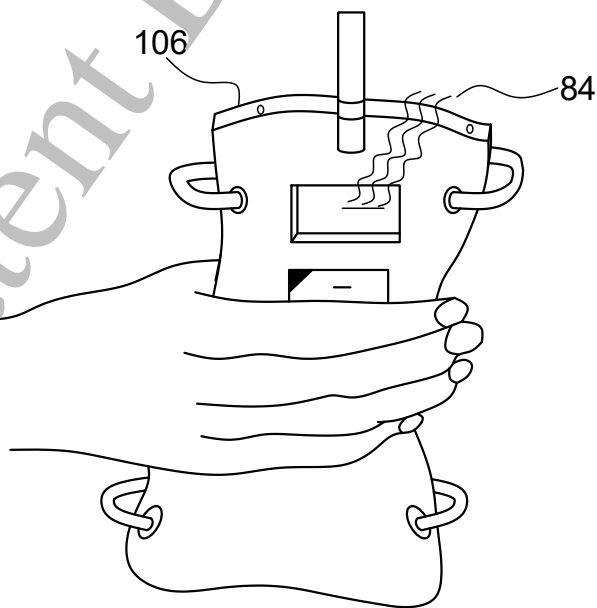


FIG. 6C

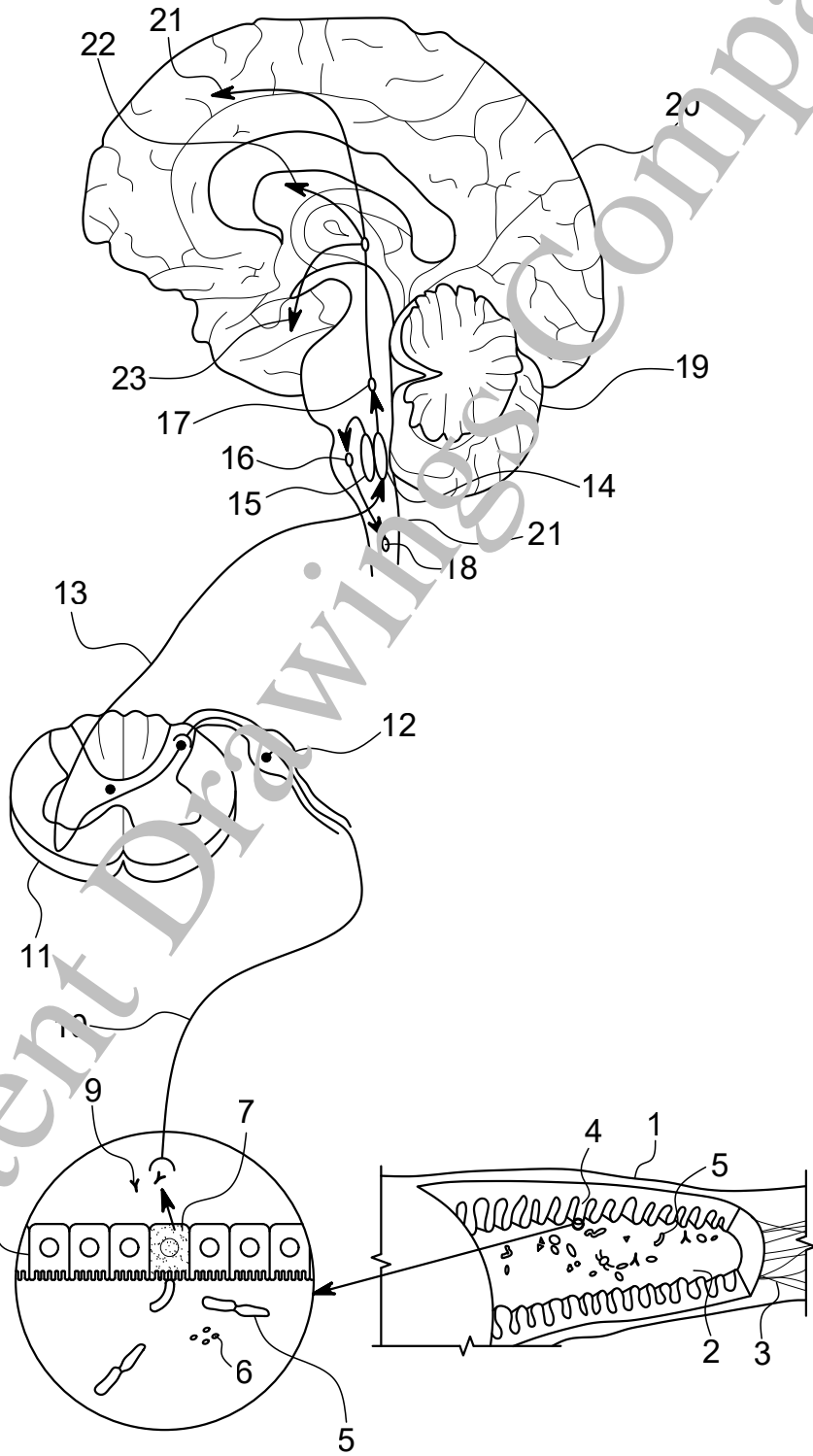


FIG. 1

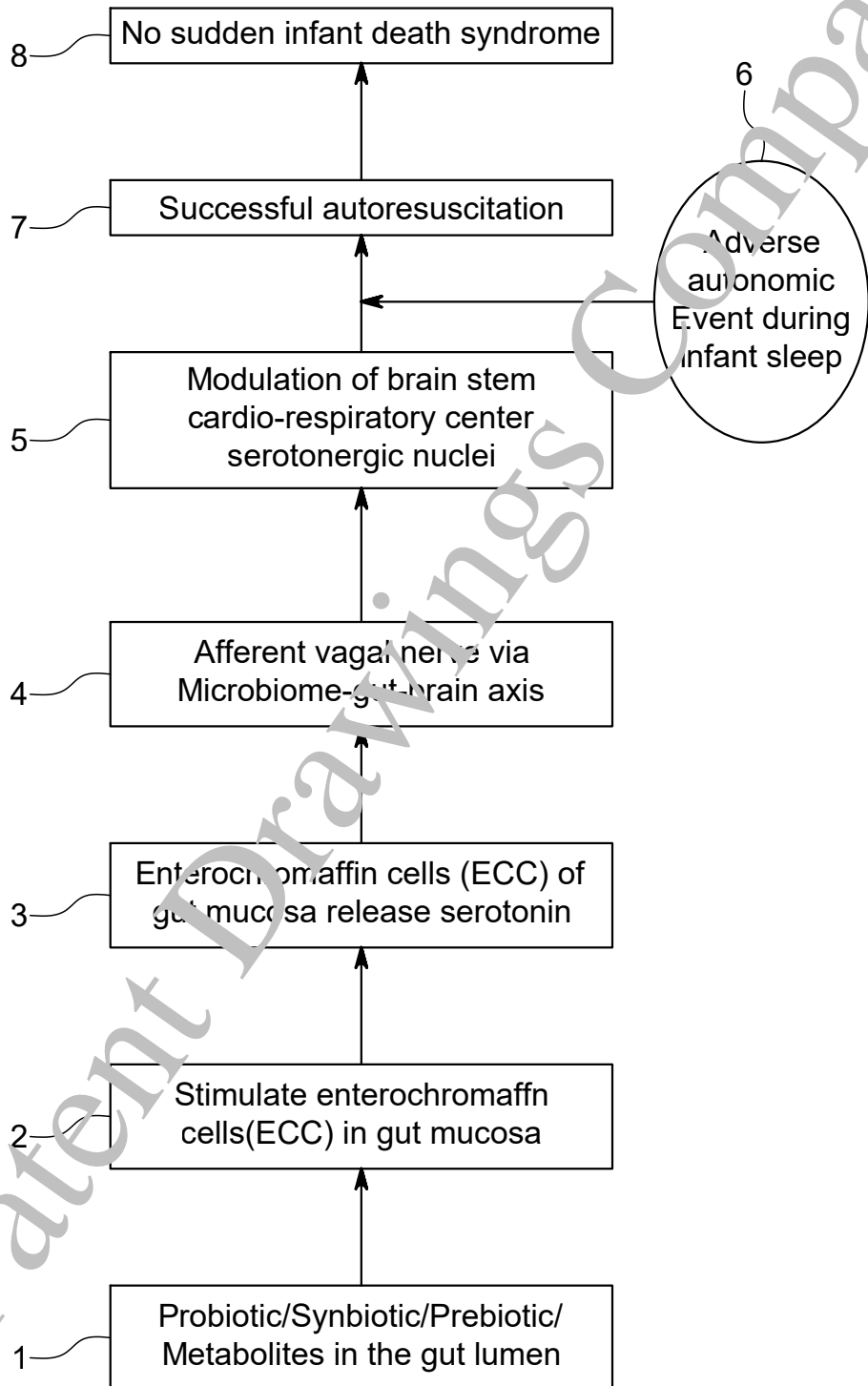


FIG. 2